

BATAVIA

# MAXXPACK 18V

## Cordless hot air gun

Akku-Heißluftpistole

Pistolet à air chaud sans fil

Accu heteluchtpistool

Pistola ad aria calda a batteria

Pistola de aire caliente inalámbrica

Pistola de ar quente sem fios

Bezprzewodowa opalarka



Operating instructions

Originalbetriebsanleitung

Mode d'emploi

Gebruiksaanwijzing

Istruzioni di Funzionamento

Manual de usuario

Instruções de funcionamento

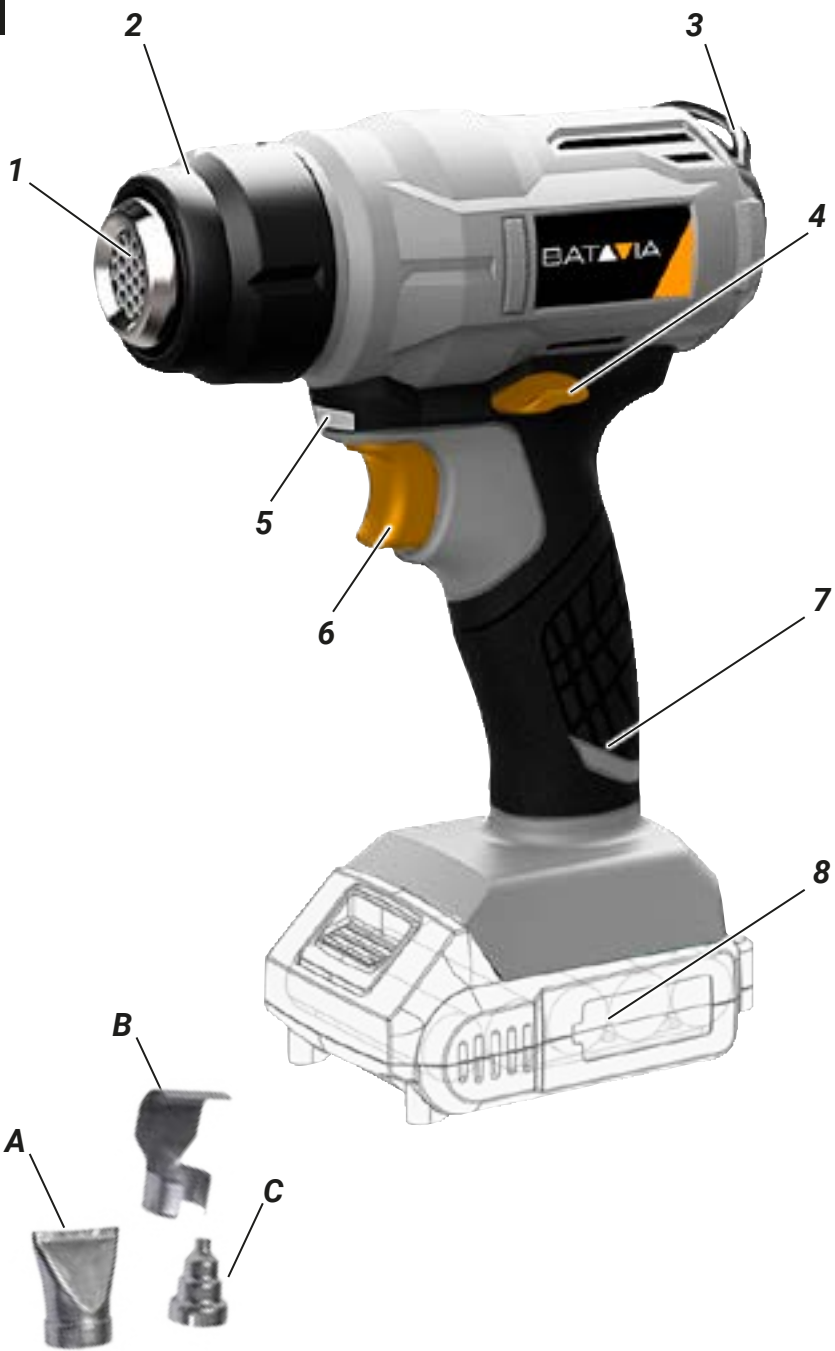
Instrukcja

Model: BT-CHG001

Item-No.: 7063519

[www.batavia.eu](http://www.batavia.eu)

**A**



## Overview

1. Air outlet
  2. Tool collet
  3. Rafter hook
  4. Safety switch
  5. LED work light
  6. On/off trigger switch
  7. Hand grip
  8. Battery (not included in delivery)
- A. Flat nozzle  
B. Spoon reflector nozzle  
C. Concentration nozzle

## Übersicht

1. Luftauslass
  2. Werkzeugaufnahme
  3. Aufhängehaken
  4. Sicherheitsschalter
  5. LED Arbeitsleuchte
  6. EIN/AUS-Schalter
  7. Handgriff
  8. Akku (nicht im Lieferumfang)
- A. Breitstrahldüse  
B. Reflektordüse  
C. Zentrierdüse

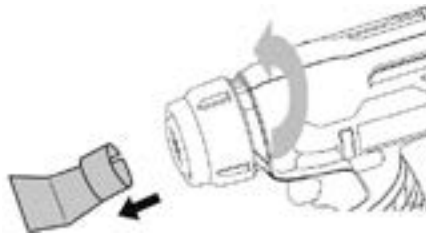
## Aperçu

1. Sortie d'air
  2. Outil pince
  3. Crochet à chevrons
  4. Commutateur de sécurité
  5. Éclairage de travail
  6. Interrupteur marche/arrêt
  7. Poignée
  8. Batterie (non incluse dans la livraison)
- A. Buse plate  
B. Buse à miroir  
C. Buse de concentration

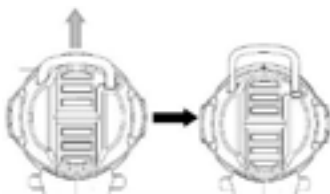
## Overzicht

1. Lucht uitlaat
  2. Gereedschapshuls
  3. Ophangbeugel
  - a. Veiligheidsschakelaar
  4. LED werkklamp
  5. Aan-/uit schakelaar
  6. Handgreep
  7. Accu (niet meegeleverd)
- A. Plat mondstuk  
B. Reflectie mondstuk  
C. Concentratie mondstuk

**B**



**C**



**D**



---

## Panoramica

1. Uscita dell'aria
  2. Colletto di fissaggio degli utensili
  3. Gancio di fissaggio
  4. Interruttore di sicurezza
  5. Luce da lavoro LED
  6. Grilletto di accensione/spengimento
  7. Impugnatura
  8. Batteria (non inclusa)
- A. Ugello piatto
  - B. Ugello a cucchiaio riflettente
  - C. Ugello ad ampia concentrazione

## Resumen

1. Salida de aire
  2. Engaste
  3. Gancho
  4. Interruptor de seguridad
  5. Lámpara led de trabajo
  6. Interruptor de gatillo de encendido/apagado
  7. Empuñadura
  8. Batería (no incluida en el paquete)
- A. Boquilla plana
  - B. Boquilla reflectora en cuchara
  - C. Boquilla de concentración

## Visão geral

1. Saída de ar
  2. Gola da ferramenta
  3. Gancho de fixação
  4. Interruptor de segurança
  5. Luz de trabalho LED
  6. Interruptor de gatilho de ligar/desligar
  7. Punho
  8. Bateria (não incluída na embalagem)
- A. Bico plano
  - B. Bico refletor de colher
  - C. Bico de concentração

## Przegląd

1. Wylot powietrza
  2. Tuleja narzędziowa
  3. Hak
  4. Wyłącznik bezpieczeństwa
  5. Diodowa lampka robocza
  6. Przełącznik wyzwalający
  7. Uchwyt ręczny
  8. Akumulator (nie jest dostarczany z urządzeniem)
- A. Dysza płaska
  - B. Dysza refleksyjna
  - C. Dysza redukcyjna

---

## Contents

|  |    |
|--|----|
| 1. Explanation of the symbols . . . . .                            | 7  |
| 2. Additional safety instructions for cordless heat guns . . . . . | 7  |
| 3. Before first use . . . . .                                      | 8  |
| 4. Contents of packing . . . . .                                   | 8  |
| 5. Intended use . . . . .  | 8  |
| 6. Mounting the nozzle . . . . .                                   | 8  |
| 7. Rafter hook . . . . .   | 8  |
| 8. ON/OFF switch . . . . .   | 8  |
| 9. Cleaning and maintenance . . . . .                              | 9  |
| 10. Technical data . . . . .                                       | 9  |
| 11. Disposal . . . . .   | 9  |
| 12. EC-Declaration of conformity . . . . .                         | 10 |

## Inhaltsverzeichnis

|   |    |
|---|----|
| 1. Erläuterung der Symbole . . . . .                                  | 11 |
| 2. Zusätzliche Sicherheitshinweise für Akku Heißluftgebläse . . . . . | 11 |
| 3. Vor der ersten Benutzung . . . . .                                 | 12 |
| 4. Verpackungsinhalt . . . . .  | 12 |
| 5. Bestimmungsgemäßer Gebrauch . . . . .                              | 12 |
| 6. Montieren der Düse . . . . .                                       | 12 |
| 7. Aufhängehaken . . . . .  | 13 |
| 8. Ein- und Ausschalten . . . . .                                     | 13 |
| 9. Reinigung und Wartung . . . . .                                    | 13 |
| 10. Technische Daten . . . . .  | 14 |
| 11. Entsorgung . . . . .  | 14 |
| 12. EG-Konformitätserklärung . . . . .                                | 14 |

## Table des matières

|   |    |
|---|----|
| 1. Explication des symboles . . . . .   | 15 |
| 2. Instructions de sécurité supplémentaire pour pistolet thermique sans fil . . . . . | 15 |
| 3. Avant la première utilisation . . . . .  | 16 |
| 4. Contenus de l'emballage . . . . .  | 16 |
| 5. Utilisation normale . . . . .  | 16 |
| 6. Montage de la buse . . . . .   | 17 |
| 7. Crochet à chevrons . . . . .   | 17 |
| 8. Commutateur MARCHÉ/ARRÊT . . . . .   | 17 |
| 9. Nettoyage et maintenance . . . . .   | 17 |
| 10. Fiche technique . . . . .   | 17 |
| 11. Élimination et recyclage . . . . .  | 18 |
| 12. CE-Déclaration de conformité . . . . .  | 18 |

## Inhoudsopgave

|  |    |
|--|----|
| 1. Uitleg van de symbolen . . . . .  | 19 |
| 2. Aanvullende veiligheidsvoorschriften voor het accu heteluchtpistool . . . . . | 19 |
| 3. Voor het eerste gebruik . . . . .   | 20 |
| 4. Inhoud van de verpakking . . . . .  | 20 |
| 5. Beoogd gebruik . . . . .  | 20 |
| 6. Mondstuk monteren . . . . .   | 20 |
| 7. Ophangbeugel . . . . .  | 21 |
| 8. De aan/uit schakelaar . . . . .   | 21 |
| 9. Reiniging en onderhoud . . . . .  | 21 |
| 10. Technische gegevens: . . . . .   | 21 |
| 11. Afvalverwerking en hergebruik . . . . .                                      | 22 |
| 12. EG-Conformiteitsverklaring . . . . .   | 22 |

---

## Contenuto

|   |    |
|---|----|
| 1. Spiegazione dei simboli . . . . .  | 23 |
| 2. Ulteriori istruzioni di sicurezza per l'uso della pistola termica senza a fili . . . . . | 23 |
| 3. Operazioni preliminari al primo uso del prodotto . . . . .                               | 24 |
| 4. Contenuto della confezione. . . . .  | 24 |
| 5. Destinazione d'uso. . . . .  | 24 |
| 6. Montaggio dell'ugello . . . . .  | 24 |
| 7. Gancho di fissaggio. . . . .   | 25 |
| 8. Interruttore accensione/<br>spegnimento . . . . .  | 25 |
| 9. Pulizia e manutenzione . . . . .   | 25 |
| 10. Dati tecnici . . . . .  | 26 |
| 11. Smaltimento . . . . .   | 26 |
| 12. Dichiarazione di conformità CE . . . . .  | 26 |

## Índice

|  |    |
|--|----|
| 1. Explicación de los símbolos . . . . .   | 27 |
| 2. Instrucciones de seguridad adicionales en materia de pistolas de aire caliente inalámbricas . . . . . | 27 |
| 3. Antes de usar por primera vez. . . . .  | 28 |
| 4. Contenido del paquete . . . . .   | 28 |
| 5. Uso previsto . . . . .  | 28 |
| 6. Colocación de las boquillas. . . . .  | 28 |
| 7. Gancho . . . . .  | 29 |
| 8. Interruptor de encendido/apagado . . . . .  | 29 |
| 9. Limpieza y mantenimiento . . . . .  | 29 |
| 10. Datos técnicos . . . . .   | 30 |
| 11. Eliminación . . . . .  | 30 |
| 12. Declaración CE de conformidad . . . . .  | 30 |

## Índice

|   |    |
|---|----|
| 1. Explicação dos símbolos . . . . .  | 31 |
| 2. Instruções de segurança adicionais para pistolas de ar quente sem fios . . . . . | 31 |
| 3. Antes da primeira utilização . . . . .   | 32 |
| 4. Conteúdo da embalagem . . . . .  | 32 |
| 5. Utilização prevista . . . . .  | 32 |
| 6. Montar o bico . . . . .  | 32 |
| 7. Gancho de fixação . . . . .  | 32 |
| 8. Interruptor de LIGAR/DESLIGAR . . . . .  | 33 |
| 9. Limpeza e manutenção . . . . .   | 33 |
| 10. Dados técnicos . . . . .  | 34 |
| 11. Eliminação . . . . .  | 34 |
| 12. Declaração de conformidade CE . . . . .   | 34 |

## Spis treści

|  |    |
|--|----|
| 1. Objasnienie symboli . . . . .   | 35 |
| 2. Dodatkowe środki ostrożności dotyczące opalarek bezprzewodowych . . . . . | 35 |
| 3. Przed pierwszym użyciem . . . . .   | 36 |
| 4. Zawartość opakowania . . . . .  | 36 |
| 5. Przeznaczenie . . . . .   | 36 |
| 6. Zakładanie dyszy . . . . .  | 37 |
| 7. Hak . . . . .   | 37 |
| 8. Włącznik/wyłącznik . . . . .  | 37 |
| 9. Czyszczenie i konserwacja . . . . .                                       | 37 |
| 10. Dane techniczne . . . . .  | 38 |
| 11. Utylizacja . . . . .   | 38 |
| 12. Deklaracja zgodności z wymogami UE . . . . .                             | 38 |

## Dear customer

Please familiarize yourself with the proper usage of the device by reading and following each chapter of this manual, in the order presented. Keep these operating instructions for further reference.

### **Please read the enclosed "General safety instructions for power tools" and all additional safety instructions in this operating instructions!**

This manual contains important information on operating and handling the device. Keep these operating instructions for further reference. Please pass it on along with the unit if it is handed over to a third party.

### **Battery and charger not included!**

The battery is available separately under art. No: 7062517 (2 Ah), 7062518 (4 Ah) or 7063735 (5 Ah). The charger is available separately under art. No: 7063688 (2.4 A) or 7063554 (4 A).

These items are available online and in participating stores.

## 1. Explanation of the symbols

The following symbols are used in the user manual or on the product:



*Warning! To reduce the risk of injury, the user must read the instruction manual.*



*Denotes risk of personal injury, loss of life or damage to the tool in case of non-observance of the instructions in this manual.*



*CE stands for "Conformité Européenne", which means "In accordance with EU Regulations". With the CE marking, the manufacturer confirms that this Electric tool complies with the applicable European directives.*



*Do not dispose of electric power tools with domestic refuse.*

## 2. Additional safety instructions for cordless heat guns

- 2.1 Dispose of used packaging material carefully or store it out of the reach of children. There is a danger of suffocation!
- 2.2 Persons with limited physical, sensorial or mental abilities are not allowed to use the device, unless they are supervised and briefed for their safety by a qualified person.
- 2.3 Do not leave the switched on device unattended and keep the device out of reach of children and persons in need of supervision.
- 2.4 Only operate the device as intended and not e.g. for igniting fire, drying clothes or other materials.
- 2.5 Ensure that the lighting is adequate in the work area.
- 2.6 Tools get hot during operation; allow cooling prior to handling them.
- 2.7 Periodically check all nuts, bolts and other fixings and tighten where necessary.
- 2.8 Always switch off the heat gun after work. Please note that the device is still very hot. There is risk of injuries and fire!
- 2.9 Be careful when using the unit near flammable or easy fusible materials such as plastics or glass. Do not direct the unit for long time at the same place. Never point the running unit to people, animals, plants, flammable objects or liquids.
- 2.10 Do not use the unit in explosive atmosphere.
- 2.11 Be aware that heat may be conducted to combustible materials that are out of sight.
- 2.12 Please note that poisonous gases may be emitted while removing paint. Use suitable inhalation protection and ensure adequate ventilation.
- 2.13 Keep the air slots and the nozzle clean to avoid overheating the unit and to prevent from fire hazard.
- 2.14 Use original accessory only.
- 2.15 Should the unit become damaged do not use it any further and have it repaired by a professional or contact our customer service. Do not disassemble the unit or try repairing it yourself.

### 3. Before first use

Remove the machine and the accessories from the packaging. Check the machine for transport damage and do not use the machine in case of damages. Keep the packing materials away from children, risk of suffocation!

### 4. Contents of packing

- 1× Cordless hot air gun
- 1× Flat nozzle
- 1× Reflection nozzle
- 1× Concentration nozzle
- 1× Operating instructions

### 5. Intended use

The heat gun is designed for the following fields of application:

- for removing varnish or oil paint and latex paint, stickers,
- for removing ski wax, putty and for loosening rusty or tight nuts and screws,
- for melting ice in frozen metal pipes and locks,
- for shrinking packaging films and shrink-film hoses,
- for loosening flooring,
- for deforming plastics,
- for drying acceleration of paint, varnish, wet or damp substances or objects before they are further processed,
- for torching wooding casings.

#### WARNING!

- Please note that glazes and base coats on wood cannot be removed with the heat gun.
- First test on a small not visible section of the surface before processing a larger area.
- Vapours of paints and plastics are poisonous. Always ensure adequate ventilation, while working in buildings and use inhalation protection, if necessary.
- Do not use chemical paint stripper or solvent at the same time when using the heat gun.
- For removing paint and varnish, direct the heat gun nozzle from approx. 10 cm

distance onto the paint, until it starts bubbling. Push the paint in the blowing direction off its substrate.

- From profiled surfaces, remove the paint after heating by using a wire brush.
- Areas that should not to be heated up, please cover with a non-flammable and poorly heat conducting material.
- Before cleaning the unit, always unplug and allow the heat gun to cool down fully.

### 6. Mounting the nozzle

(See Fig. B)

**WARNING:** Always remove the battery from the device before attaching or removing the nozzle.

- a. Insert the desired nozzle (**A, B, C**) into the tool collet and push it firmly.
- b. To remove the nozzle, turn the tool collet counter clockwise and take out the nozzle.

### 7. Rafter hook

(See Fig. C, D)

With the provided rafter hook (**3**) you can fasten the heat gun on a suitable place.

- a. First lift up the spring-loaded rafter hook (**3**) and then take it out of the hole.
- b. Fasten the rafter hook on a suitable place, so you will have the heat gun ready to hand.

### 8. ON/OFF switch

**WARNING:** Always wear adequate personal protection equipment when setting up and operating the tool. The safety switch (**4**) is always in the central position, thus the heat gun is locked and cannot be switched on.

- a. To start the tool, first push the safety switch (**4**) to the right or to the left and then squeeze the trigger switch (**6**).
- b. Release the trigger switch to stop the heat gun.

**ATTENTION!** The motor will still run for approx. 6 seconds. This is necessary in order to cool down the motor.

**Note:** The heat gun reaches operating temperature within a few seconds.



- c. Heat the object to be treated. If necessary, move the nozzle closer to the object.
- d. Always switch off the heat gun after finishing work. Note that the nozzle is still very hot. Do not place the heat gun close to flammable materials.

## 9. Cleaning and maintenance

**WARNING:** Remove the battery before carrying out any maintenance/cleaning of the tool.

### 9.1 Cleaning

- Use only a moist cloth to clean the unit. Do not use aggressive chemicals which may dissolve plastic parts, or abrasives. Always keep the ventilation slots clean and free from obstructions.
- Keep safety devices, ventilation openings and the motor housing as free as possible from dirt and dust. Rub the electric power tool with a clean cloth or blow over it with low pressure compressed air.
- We recommend that you clean your electric power tool immediately after each use.
- Clean the electric power tool regularly with a damp cloth and somewhat soft soap.

### 9.2 Maintenance

There are no inner parts of the tool which need maintenance.

## 10. Technical data

|  |                  |
|--|------------------|
| Rated voltage. . . . .                   | 18 V DC          |
| Current strength . . . . .               | 15.5 A           |
| Temperature setting . . . . .            | 550 °C           |
| Air flow . . . . .                       | 240 l/m          |
| Air flow speed . . . . .                 | 15 m/s           |
| Product weight without battery . . . . . | 0.6 kg           |
| Product dimensions. . . . .              | 17.5 × 7 × 20 cm |

## 11. Disposal



***Do not dispose of electric power tools with domestic refuse.***

The electric power tool is shipped in packaging to reduce transport damage. This packaging is a raw material and as such can either be reused or can be fed back into the raw material cycle. The electric power tool and its accessories are made from various materials such as metals and plastics. Take defective components to a special refuse collection point. Ask about these at your specialist shop or local council. The product and the user manual may be subject to changes. Technical data may be changed without prior notice.

### 11.1 Batteries

Think of the environment when disposing of batteries. Contact your local authorities to find out where your nearest disposal area is. Do not dispose of batteries with domestic refuse.

Do not dispose of by burning, risk of explosion.

## 12. EC-Declaration of conformity

We, the **Batavia B.V., Weth. Wassebaliestraat 6d, NL-7951 SN Staphorst**, declare by our own responsibility that the product **Cordless hot air gun, Model BT-CHG001, Item-No 7063519** is according to the basic requirements, which are defined in the European Directives Electromagnetic Compatibility **2014/30/EU (EMC), 2006/42/EC (Machinery), 2014/35/EU (LVD), 2011/65/EU (RoHS)** and their amendments. For the evaluation of conformity, the following harmonized standards were consulted:

**EN62233:2008**

**EN60335-2-45:2002+A1:2008+A2:2012**

**EN60335-1:2012+AC:2014**

**+A11:2014+A13:2017**

**EN55014-1:2017**

**EN55014-2:2015**

**AfPS GS 2019:01 PAK**

Staphorst, 6 Juli 2021



Meino Seinen, QA Representative  
Batavia B.V., Weth. Wassebaliestraat 6d,  
7951 SN Staphorst, Netherlands

The product and the user manual may be subject to changes. Technical data may be changed without prior notice.

## Sehr geehrte Damen und Herren

Bitte machen Sie sich in der Reihenfolge der Kapitel mit dem Gerät vertraut und bewahren Sie diese Bedienungsanleitung für spätere Zwecke gut auf.

### Lesen Sie bitte die beigefügten **“Allgemeine Sicherheitshinweise für Elektrowerkzeuge”** und alle weiteren **Sicherheitshinweise in dieser Betriebsanleitung!**

Diese Bedienungsanleitung enthält wichtige Hinweise zur Inbetriebnahme und Handhabung. Legen Sie die Anleitung dem Produkt bei, wenn Sie es an Dritte weitergeben.

### **Akku und Ladegerät sind nicht im Lieferumfang enthalten!**

Der Akku ist separat erhältlich unter der Artikel-Nr.: 7062517 (2 Ah), 7062518 (4 Ah) oder 7063735 (5 Ah). Das Ladegerät ist separat erhältlich unter der Artikel-Nr.: 7063688 (2.4 A) oder 7063554 (4 A).

Diese Produkte sind online und in teilnehmenden Geschäften verfügbar.

## 1. Erläuterung der Symbole

Folgende Symbole werden im Benutzerhandbuch oder auf dem Produkt verwendet:



**WARNUNG** - Zur Verringerung des Verletzungsrisikos *Bedienungsanleitung lesen.*



*Allgemeines Warnzeichen – Seien Sie aufmerksam und beachten Sie allgemeine Gefahren.*



*CE steht für „Conformité Européenne“, dies bedeutet, Übereinstimmung mit EU Richtlinien“. Mit der CE Kennzeichnung bestätigt der Hersteller, dass dieses Elektrowerkzeug den geltenden europäischen Richtlinien entspricht.*



*Nicht in den Hausmüll entsorgen!*

## 2. Zusätzliche Sicherheitshinweise für Akku Heißluftgebläse

2.1 Entsorgen Sie nicht benötigtes Verpackungsmaterial oder bewahren Sie dieses an einem für Kinder unzugängli-

chen Ort auf. Es besteht Erstickungsgefahr!

- 2.2 Personen mit eingeschränkten physischen, sensorischen oder geistigen Fähigkeiten dürfen das Gerät nicht benutzen, es sei denn, sie werden durch eine Betreuerin/einen Betreuer beaufsichtigt und unterwiesen.
- 2.3 Lassen Sie das eingeschaltete Gerät niemals unbeaufsichtigt und halten Sie es außerhalb der Reichweite von Kleinkindern und von zu beaufsichtigenden Personen.
- 2.4 Benutzen Sie das Gerät nur bestimmungsgemäß und nicht z.B. zum Entzünden von Feuer, Trocknen von Kleidung oder anderer Materialien.
- 2.5 Sorgen Sie für ausreichende Beleuchtung des Arbeitsbereiches.
- 2.6 Einsatzwerkzeuge werden während des Betriebs heiß. Lassen Sie sie vor dem Berühren abkühlen.
- 2.7 Überprüfen Sie in regelmäßigen Abständen sämtliche Schrauben, Muttern und anderen Befestigungselemente auf festen Sitz und ziehen Sie sie bei Bedarf an.
- 2.8 Schalten Sie das Gerät bei Nichtgebrauch aus. Beachten Sie, dass das Gerät nach dem Ausschalten noch sehr heiß ist. Es besteht Verbrennungs- und Brandgefahr!
- 2.9 Seien Sie vorsichtig beim Gebrauch des Geräts in der Nähe brennbarer oder leicht schmelzbarer Materialien, wie Kunststoffe oder Glas. Richten Sie das Gerät nicht für längere Zeit auf ein und dieselbe Stelle. Richten Sie das eingeschaltete Gerät niemals auf Menschen, Tiere, Pflanzen, brennbare Gegenstände oder Flüssigkeiten.
- 2.10 Benutzen Sie das Gerät nicht in einer explosionsfähigen Atmosphäre.
- 2.11 Beachten Sie, dass Wärme zu brennbaren Materialien geleitet werden kann, die verdeckt sind.
- 2.12 Beachten Sie, dass beim Abbeizen von Lacken giftige Dämpfe entstehen können. Benutzen Sie gegebenenfalls

Atemschutz und sorgen Sie für ausreichende Belüftung.

2.13 Halten Sie die Luftschlitze und die Düse immer sauber, um eine Überhitzung des Geräts und Brandgefahr zu vermeiden.

2.14 Benutzen Sie nur Originalzubehör.

2.15 Falls am Gerät Schäden auftreten, benutzen Sie das Gerät nicht mehr und lassen Sie es durch einen Fachmann instand setzen oder wenden Sie sich an unsere Kundenbetreuung. Zerlegen Sie das Gerät nicht und unternehmen Sie keine eigenen Reparaturversuche.

### 3. Vor der ersten Benutzung

Nehmen Sie die Maschine und das Zubehör aus der Verpackung. Überprüfen Sie die Maschine auf Transportschäden und verwenden Sie diese nicht, wenn sie beschädigt ist. Halten Sie Verpackungsmaterialien von Kindern fern. Es besteht Erstickungsgefahr!

### 4. Verpackungsinhalt

1× Akku-Heißluftpistole

1× Platte Düse

1× Reflektierdüse

1× Ballungsdüse

1× Originalbetriebsanleitung

### 5. Bestimmungsgemäßer Gebrauch

Die Heißluftpistole ist für folgende Anwendungen bestimmt:

- zum Entfernen von Lacken, Öl- und Latexfarben, Aufklebern,
- zum Entfernen von Skiwachs, Kitt und zum Lockern von rostigen oder fest angezogenen Muttern und Schrauben,
- zum Auftauen von eingefrorenen Metallrohren und Schließern,
- zum Schrumpfen von Verpackungsfolien und Schrumpfschläuchen,
- zum Lösen von Fußbodenbelägen,
- zum Verformen von Kunststoffen,
- zum schnellen Trocknen von Farben, Lacken, nassen und feuchten Untergründen oder Gegenständen vor der Weiterverarbeitung,

- zum Hervorheben von natürlicher Maserung von Holzflächen vor dem Beizen oder Lackieren,
- zur Beflammung von Holzverkleidungen.

### Hinweise!

- Beachten Sie, dass Lasuren und Grundierfarben auf Holz nicht mit der Heißluftpistole entfernt werden können.
- Testen Sie zuerst eine kleine verdeckte Oberfläche, bevor Sie größere Flächen bearbeiten.
- Dämpfe von Farben und Kunststoffen sind giftig. Sorgen Sie bei Arbeiten in Gebäuden stets für ausreichende Belüftung und benutzen Sie evtl. Atemschutz.
- Verwenden Sie niemals chemische Abbeizer oder Lösungsmittel gleichzeitig mit der Heißluftpistole.
- Beim Entfernen von Farben und Lacke, halten Sie die Düse in einem Abstand von ca. 10 cm auf die Farbe, bis die Farbe Blasen wirft. Schieben Sie die Farbe mit einem Spachtel in Blasenrichtung vom Untergrund.
- Bei profilierten Oberflächen entfernen Sie Farben und Lacke am besten mit einer Drahtbürste.
- Decken Sie Flächen, die nicht erhitzt werden sollen mit nicht brennbaren oder schlecht wärmeleitenden Materialien ab.
- Bevor Sie das Gerät reinigen, entnehmen Sie den Akku und lassen Sie alle Teile vollständig abkühlen.

### 6. Montieren der Düse

(Sehe **Abb. B**)

**WARNUNG:** Nehmen Sie den Akku vor dem Einsetzen oder Entfernen der Düse stets aus dem Gerät.

- a. Setzen Sie die gewünschte Düse (**A**, **B**, **C**) in die Werkzeugaufnahme und drücke es fest.
- b. Zum Abnehmen der Düse drehen Sie die Werkzeugaufnahme (**2**) wieder gegen den Uhrzeigersinn und nehmen Sie die Düse ab.

## 7. Aufhängehaken

(Sehe **Abb. C, D**)

Mit dem integrierten Aufhängehaken **(3)** am Gerät können Sie die Heißluftpistole an einem passenden Gegenstand aufhängen.

- a. Ziehen Sie hierzu den gefederten Aufhängehaken **(3)** senkrecht nach oben und klappen Sie den Haken nach außen.
- b. Hängen Sie das Gerät an einen passenden Ort auf. So haben Sie die Heißluftpistole immer zur Hand.

## 8. Ein- und Ausschalten

**WARNUNG:** Tragen Sie beim Einstellen und Betrieb dieses Gerätes stets angemessene persönliche Schutzausrüstung.

Der Sicherheitsschalter **(4)** steht immer mittig, Somit ist das Gerät gesperrt und kann nicht eingeschaltet werden.

- a. Drücken Sie zum Einschalten des Gerätes erst den Sicherheitsschalter **(4)** nach rechts oder nach links und drücken Sie danach den EIN/AUS-Schalter **(6)**.
- b. Lassen Sie den EIN/AUS-Schalter wieder los, um das Gerät einzuschalten.

**ACHTUNG!** Der Motor läuft noch ca. 6 Sekunden nach. Dies ist notwendig, um den Motor abzukühlen.

**Hinweis:** In nur wenigen Sekunden erreicht die Heißluftpistole die Betriebstemperatur.

- c. Erwärmen Sie den zu behandelnden Gegenstand. Führen Sie bei Bedarf die Düse näher an dem Gegenstand.
- d. Schalten Sie nach Beendigung der Arbeit die Heißluftpistole immer ab. Beachten Sie, dass die Düse noch sehr heiß ist. Stellen Sie die Heißluftpistole nicht neben brennbaren Materialien ab.

## 9. Reinigung und Wartung

**WARNUNG:** Entnehmen Sie den Akku, bevor Sie Reinigungs- oder Reinigungsarbeiten an dem Gerät durchführen.

### 9.1 Reinigung

- Reinigen Sie die Welle mit warmem Wasser und etwas Spülmittel und lassen Sie sie im ausgefahrenen Zustand vollständig trocknen. Ölen Sie die Welle nach dem Trocknen leicht ein.
- Reinigen Sie ihr Gerät gegebenenfalls mit einem feuchten Tuch. Benutzen Sie keine chemischen Reinigungsmittel, die aggressive Substanzen enthalten, da diese das Plastikgehäuse angreifen können. Achten Sie darauf, dass die Lüftungsschlitze immer sauber und offen bleiben.
- Halten Sie Schutzvorrichtungen, Lüftungsöffnungen und Motorenhäuser so staub- und schmutzfrei wie möglich. Reiben Sie das Elektrowerkzeug mit einem sauberen Tuch ab oder blasen Sie es mit Druckluft bei niedrigem Druck aus.
- Wir empfehlen, dass Sie das Elektrowerkzeug direkt nach jeder Benutzung reinigen.
- Reinigen Sie das Elektrowerkzeug regelmäßig mit einem feuchten Tuch und etwas Schmierseife.

### 9.2 Wartung

Im Geräteinneren befinden sich keine weiteren zu wartenden Teile.

## 10. Technische Daten

|                                    |                  |
|------------------------------------|------------------|
| Nennspannung . . . . .             | 18 V DC          |
| Stromstärke . . . . .              | 15,5 A           |
| Temperatureinstellung . . . . .    | 550 °C           |
| Luftmenge . . . . .                | 240 l/m          |
| Luftstromgeschwindigkeit . . . . . | 15 m/s           |
| Produktgewicht ohne Akku . . . . . | 0,6 kg           |
| Abmessungen Produkt . . . . .      | 17,5 × 7 × 20 cm |

## 11. Entsorgung



*Entsorgen Sie Elektrowerkzeuge nicht über den Hausmüll.*

Das Elektrowerkzeug befindet sich in einer Verpackung, um Transportschäden zu verhindern. Diese Verpackung ist Rohstoff und ist somit wieder verwendbar oder kann dem Rohstoffkreislauf zurückgeführt werden. Das Elektrowerkzeug und dessen Zubehör bestehen aus verschiedenen Materialien, wie z.B. Metall und Kunststoffe. Führen Sie defekte Bauteile der Sondermüllentsorgung zu. Fragen Sie im Fachgeschäft oder in der Gemeindeverwaltung nach!

Das Produkt und das Benutzerhandbuch können geändert werden. Die technischen Daten können ohne Vorankündigung geändert werden.

### 11.1 Batterien

Denken Sie bei der Entsorgung von Batterien an den Umweltschutz. Wenden Sie sich zwecks einer umweltfreundlichen Entsorgung an die lokalen Behörden.

## 12. EG-Konformitätserklärung

Wir, die **Batavia B.V., Weth. Wassebalie-straat 6d, NL-7951 SN Staphorst**, erklären in alleiniger Verantwortung, dass das Produkt **Akku-Heißluftpistole, Typ BT-CHG001, Artikel Nr. 7063519** den wesentlichen Schutzanforderungen genügt, die in den Europäischen Richtlinien **2014/30/EU** Elektromagnetische Verträglichkeit (EMV), **2006/42/EG** (Maschinen), **2014/35/EU** (LVD), **2011/65/EU** (RoHS) und deren Änderungen festgelegt sind. Für die Konformitätsbewertung wurden folgende harmonisierte Normen herangezogen:

**EN62233:2008**

**EN60335-2-45:2002+A1:2008+A2:2012**

**EN60335-1:2012+AC:2014**

**+A11:2014+A13:2017**

**EN55014-1:2017**

**EN55014-2:2015**

**AfPS GS 2019:01 PAK**

Staphorst, 6 Juli 2021

Meino Seinen, Qualitätsbeauftragter  
Batavia B.V., Weth. Wassebaliestraat 6d,  
NL-7951SN Staphorst, Niederlande

Das Produkt und das Benutzerhandbuch können geändert werden. Die technischen Daten können ohne Vorankündigung geändert werden.

## Cher client

Les manuels d'utilisation contiennent des consignes importantes pour la manipulation de votre nouveau produit. Ils vous permettent d'utiliser toutes les fonctions, d'éviter des erreurs de compréhension et de prévenir les dommages.

**Veillez lire le ci-joint « Consignes générales de sécurité pour appareils électriques » ainsi que toutes les consignes de sécurité supplémentaires contenues dans ce mode d'emploi!**

Veillez prendre le temps de lire tranquillement ce manuel d'utilisation et conservez-le jalousement pour une consultation ultérieure.

### Batterie et chargeur non inclus!

La batterie est disponible séparément sous No d'art. : 7062517 (2Ah), 7062518 (4Ah) ou 7063735 (5Ah).

Le chargeur est disponible séparément sous No d'art. : 7063688 (2.4A) ou 7063554 (4A).

Ces articles sont disponibles en ligne et dans les magasins participants.

## 1. Explication des symboles

Les symboles suivants sont utilisés dans le manuel d'utilisation ou apposés sur le produit :



**AVERTISSEMENT** : pour réduire les risques de blessures, veuillez lire le mode d'emploi.



Indique un risque de blessures, un danger mortel ou un risqué d'endommagement de l'outil en cas du non-respect des consignes de ce mode d'emploi.



Portez des lunettes de protection. Les étincelles provoquées par le travail ou les éclats, les copeaux et les poussières provenant de l'appareil électrique peuvent entraîner la perte de la vue.



Le nombre de rotations de la machine peut être réglé électroniquement.

**CE** est l'abréviation de "Conformité Européenne", ce qui signifie "conforme aux directives de l'Union Européenne". Le fabricant confirme par le marquage CE que cet appareil électrique correspond aux directives européennes en vigueur.



Ne jetez pas les équipements électriques avec les ordures ménagères.

## 2. Instructions de sécurité supplémentaire pour pistolet thermique sans fil

- 2.1 Jetez les matériaux d'emballage utilisés en respectant les précautions d'usage ou conservez-les hors de la portée des enfants. Il y a un risque d'étouffement !
- 2.2 Les personnes qui présentent des capacités physiques, sensorielles et mentales limitées ne sont pas permises d'utiliser cet appareil, à moins qu'une personne qualifiée les surveille et leur fournisse des informations relatives à leur sécurité.
- 2.3 Ne laissez pas l'appareil allumé sans surveillance et gardez-le hors de portée des enfants et des personnes qui ont besoin de surveillance.
- 2.4 N'utilisez l'appareil que dans le but prévu et non pour allumer un feu, sécher du linge ou d'autres matériaux, par exemple.
- 2.5 Assurez-vous que l'éclairage est adéquat dans la zone de travail.
- 2.6 Les outils chauffent pendant le fonctionnement ; laissez-les refroidir avant de les manipuler.
- 2.7 Vérifiez périodiquement tous les écrous, boulons et autres fixations et serrez-les si nécessaire
- 2.8 Éteignez toujours le pistolet thermique après utilisation. Veuillez noter que l'appareil est encore très chaud. Il y a un risque de blessures et d'incendie !
- 2.9 Soyez prudent lorsque vous utilisez l'appareil à proximité de matériaux inflammables ou facilement fusibles tels que le plastique ou le verre. Ne

dirigez pas l'appareil pendant une longue période au même endroit. Ne dirigez jamais l'unité mobile vers des personnes, des animaux, des plantes, des objets inflammables ou des liquides.

- 2.10 N'utilisez pas l'appareil en atmosphère explosive.
- 2.11 Sachez que la chaleur peut être dirigée vers des matériaux combustibles qui sont hors de la vue.
- 2.12 Veuillez noter que des gaz toxiques peuvent être émis lors du décapage de la peinture. Utilisez une protection adéquate contre l'inhalation et assurez une ventilation adéquate.
- 2.13 Gardez les fentes d'aération et la buse propres pour éviter de surchauffer l'appareil et pour éviter tout risque d'incendie.
- 2.14 Utilisez uniquement l'accessoire d'origine.
- 2.15 N'utilisez plus cet appareil s'il est endommagé, mais faites-le réparer par un professionnel ou contactez le service client. N'essayez pas de démonter et de réparer cet outil vous-même.

### 3. Avant la première utilisation

Retirez l'appareil et les accessoires de l'emballage. Vérifiez si l'appareil a subi des dommages durant le transport et ne l'utilisez pas dans ce cas. Conservez les matériaux d'emballage hors de la portée des enfants, risque d'étouffement !

### 4. Contenus de l'emballage

- 1x Pistolet à air chaud sans fil
- 1x Buse plate
- 1x Buse à miroir
- 1x Buse de concentration
- 1x Mode d'emploi

### 5. Utilisation normale

Le pistolet thermique est conçu pour les domaines d'application suivants :

- pour enlever le vernis ou la peinture à l'huile et la peinture au latex, les autocollants,

- pour enlever la cire de ski, le mastic et pour desserrer les écrous rouillés ou serrés et les vis,
- pour faire fondre la glace dans les tuyaux et les serrures en métal gelés,
- pour rétracter les films d'emballage et les tuyaux à film rétractable,
- pour desserrer les revêtements de sol,
- pour déformer les plastiques,
- pour le séchage accéléré de peintures, vernis, substances ou objets mouillés ou humides avant leur traitement ultérieur,
- pour brûler des douilles en bois.

### AVERTISSEMENT !

- Veuillez noter que les vernis et les couches de base sur le bois ne peuvent pas être enlevés avec le pistolet thermique.
- Faites d'abord un essai sur une petite partie non visible de la surface avant de traiter une plus grande surface.
- Les vapeurs de peintures et de plastiques sont toxiques. Assurez toujours une ventilation adéquate lors des travaux dans les bâtiments et utilisez une protection contre l'inhalation, si nécessaire.
- N'utilisez pas de décapant chimique ou de solvant en même temps que le pistolet thermique.
- Pour enlever la peinture et le vernis, dirigez la buse du pistolet thermique à une distance d'environ 10 cm sur la peinture, jusqu'à ce qu'elle commence à bouillonner. Poussez la peinture dans le sens du soufflage hors de son support.
- Sur les surfaces profilées, enlevez la peinture après le chauffage à l'aide d'une brosse métallique.
- Les zones qui ne doivent pas être chauffées doivent être recouvertes d'un matériau ininflammable et peu conducteur de chaleur.
- Avant de nettoyer l'appareil, débranchez-le toujours et laissez le pistolet thermique refroidir complètement.



## 6. Montage de la buse

(Voir Fig. B)

**AVERTISSEMENT** : Retirez toujours la batterie de l'appareil avant de fixer ou de retirer la buse.

- Insérez la buse souhaitée (**A, B, C**) dans la pince de serrage et poussez-la fermement.
- Pour retirer la buse, tournez la pince de serrage dans le sens inverse des aiguilles d'une montre et retirez la buse.

## 7. Crochet à chevrons

(Voir Fig. C, D)

À l'aide du crochet à chevrons (**3**) fourni, vous pouvez fixer le pistolet thermique à un endroit approprié.

- Soulevez d'abord le crochet à chevrons à ressort (**3**), puis retirez-le du trou.
- Fixez le crochet à chevrons à un endroit approprié, de sorte que vous ayez le pistolet thermique à portée de main.

## 8. Commutateur MARCHÉ/ARRÊT

**AVERTISSEMENT** : Portez toujours un équipement de protection individuelle adéquat lors de l'installation et de l'utilisation de l'outil. Le commutateur de sécurité (**4**) est toujours en position centrale, le pistolet thermique est donc verrouillé et ne peut pas être mis en marche.

- Pour mettre l'outil en marche, poussez d'abord le commutateur de sécurité (**4**) vers la droite ou vers la gauche, puis appuyez sur le commutateur à gâchette (**6**).
- Relâchez le commutateur à gâchette pour arrêter le pistolet thermique.

**ATTENTION !** Le moteur tourne encore pendant environ 6 secondes. Ceci est nécessaire pour refroidir le moteur.

**Remarque** : Le pistolet thermique atteint la température de fonctionnement en quelques secondes.

- Chauffez l'objet à traiter. Si nécessaire, rapprochez la buse de l'objet.
- Éteignez toujours le pistolet thermique après le travail. Notez que la buse est encore très chaude. Ne placez pas le

pistolet thermique à proximité de matériaux inflammables.

## 9. Nettoyage et maintenance

**ATTENTION** : Sortez la batterie avant d'entreprendre un travail de nettoyage ou d'entretien.

### 9.1 Nettoyage

- Nettoyez l'appareil uniquement avec un chiffon humide. N'utilisez pas des produits chimiques agressifs ou des produits abrasifs, car ils pourraient dissoudre les pièces en plastique. Gardez toujours les fentes de ventilation propres et exemptes d'obstructions.
- Les équipements de protection, les fentes de ventilation et le carter du moteur doivent rester aussi propres que possible, sans poussière ni salissures. Nettoyez l'appareil électrique avec un chiffon propre ou en soufflant de l'air comprimé à faible pression.
- Nous conseillons de nettoyer l'appareil électrique immédiatement après chaque utilisation.
- Nettoyez régulièrement l'appareil électrique avec un chiffon humide et un peu de savon noir.

### 9.2 Maintenance

Il n'y a aucune autre pièce nécessitant un entretien à l'intérieur de l'appareil.

## 10. Fiche technique

|  |                  |
|--|------------------|
| Tension nominale . . . . .                 | 18 V DC          |
| Courant . . . . .                          | 15,5 A           |
| Température . . . . .                      | 550 °C           |
| Débit d'air . . . . .                      | 240 l/m          |
| Vitesse d'écoulement d'air . . . . .       | 15 m/s           |
| Poids de l'appareil sans batterie. . . . . | 0,6 kg           |
| Dimensions du produit . . . . .            | 17,5 × 7 × 20 cm |

## 11. Élimination et recyclage



*N'éliminez pas les appareils électriques via les ordures ménagères.*

L'appareil électrique se trouve dans un emballage afin d'éviter tout dommage pendant le transport. Cet emballage est une matière première et peut donc être réutilisé ultérieurement ou être réintroduit dans le circuit des matières premières.

L'appareil électrique et ses accessoires sont composés de plusieurs matériaux, par exemple des métaux et des matières plastiques. Éliminez les composants défectueux via les systèmes d'élimination des déchets spéciaux. Renseignez-vous dans un magasin spécialisé ou auprès de l'administration de votre commune!

Le produit et le manuel utilisateur peuvent être modifiés. Les caractéristiques techniques peuvent être modifiées sans préavis.

### 11.1 Batteries

Lors de l'élimination des batteries, pensez à la protection de l'environnement. Pour une élimination écologique, adressez-vous aux autorités locales.

## 12. CE-Déclaration de conformité

Nous, **Batavia B.V., Weth. Wassebaliestraat 6d, NL-7951 SN Staphorst**, déclarons sous notre seule responsabilité que le produit **Pistolet à air chaud sans fil, Modèle**

**BT-CHG001, N° d'article 7063519** satisfait les principales exigences de protection définies dans les directives européennes compatibilité électromagnétique (CEM) **2014/30/EU, 2006/42/CE** (machines), **2014/35/EU** (LVD), **2011/65/EU** ainsi que les modifications y apportées. Pour évaluer la conformité nous avons eu recours aux normes harmonisées ci-dessous:

**EN62233:2008**

**EN60335-2-45:2002+A1:2008+A2:2012**

**EN60335-1:2012+AC:2014**

**+A11:2014+A13:2017**

**EN55014-1:2017**

**EN55014-2:2015**

**AfPS GS 2019:01 PAK**

Staphorst, 6 juillet 2021

Meino Seinen, Responsable de qualité  
Batavia B.V., Weth. Wassebaliestraat 6d,  
7951 SN Staphorst, Pays-Bas

Le produit et le manuel utilisateur peuvent être modifiés. Les caractéristiques techniques peuvent être modifiées sans préavis.

## Geachte klant

Gebruikershandleidingen verstrekken nuttige tips m.b.t. gebruik van uw nieuwe apparaat. Ze helpen u alle functies te gebruiken, misverstanden te voorkomen en beschadiging te vermijden. Neem de tijd deze handleiding zorgvuldig te lezen en bewaar het als naslagwerk.

### Lees alstublieft de los bijgevoegde "Algemene veiligheidsvoorschriften voor elektrisch gereedschap" en alle aanvullende veiligheidsinstructies in deze gebruiksaanwijzing!

Deze handleiding bevat belangrijke informatie over het bedienen en hanteren van het apparaat. Bewaar deze gebruiksaanwijzing voor verdere verwijzing. Gelieve het samen met het toestel door te geven als deze aan derden wordt overhandigd.

### Batterij en oplader niet inbegrepen.

De batterij is leverbaar onder art. nr.: 7062517 (2 Ah), 7062518 (4 Ah) of 7063735 (5 Ah)

De oplader is leverbaar onder art. nr.: 7063688 (2.4 A) of 7063554 (4 A).

Deze items zijn verkrijgbaar in deelnemende winkels en online.

## 1. Uitleg van de symbolen

De volgende symbolen worden gebruikt in de gebruikershandleiding of op het product:



**WAARSCHUWING** – Lees de gebruiksaanwijzing om het risico op letsel te verminderen.



**Gevaar voor lichamelijk letsel of materiële schade wanneer de instructies in deze handleiding niet worden opgevolgd.**



**CE staat voor: „Conformité Européenne”. Dit betekent: „Voldoet aan EU-richtlijnen”. Met de CE-markering bevestigt de fabrikant dat deze machine voldoet aan de geldende Europese richtlijnen.**



**De machine mag niet worden afgevoerd met het huishoudelijk afval.**

## 2. Aanvullende veiligheidsvoorschriften voor het accu heteluchtpistool

- 2.1 Gooi gebruikte verpakkingsmaterialen weg of bewaar deze buiten het bereik van kinderen. Er is gevaar voor verstikking!
- 2.2 Personen met beperkte fysieke, sensorische of mentale vermogens mogen het heteluchtpistool niet gebruiken. Tenzij ze door een gekwalificeerd persoon onder toezicht staan en worden geïnformeerd over de veiligheid ervan.
- 2.3 Laat het aangesloten apparaat niet onbeheerd achter en houd het heteluchtpistool buiten het bereik van kinderen en personen die toezicht nodig hebben.
- 2.4 Gebruik het heteluchtpistool alleen waar het voor bedoeld is en gebruik het niet voor het bijvoorbeeld ontsteken van vuur, het drogen van kleding of andere materialen.
- 2.5 Zorg voor een voldoende verlichte werkplek.
- 2.6 Gereedschappen wordt heet tijdens gebruik; laat afkoelen voordat u ze aanraakt.
- 2.7 Controleer regelmatig alle moeren, bouten en andere bevestigingspunten. Draai deze aan waar nodig is.
- 2.8 Schakel het heteluchtpistool altijd uit na het werk. Houd er rekening mee dat het apparaat nog steeds erg heet is. Er bestaat gevaar voor verwondingen en brand!
- 2.9 Wees voorzichtig wanneer u het apparaat in de buurt van ontvlambare of gemakkelijk smeltbare materialen zoals plastic of glas gebruikt. Richt het heteluchtpistool niet lang op dezelfde plaats. Richt de mond van het heteluchtpistool nooit op mensen, dieren, planten, ontvlambare voorwerpen of vloeistoffen.
- 2.10 Gebruik het heteluchtpistool niet in een explosieve omgeving.
- 2.11 Houd er rekening mee dat warmte kan worden afgenomen naar brandbare materialen die niet in zicht zijn.

- 2.12 Houd er rekening mee dat tijdens het verwijderen van verf giftige gassen vrij kunnen komen. Gebruik geschikte inhalatiebescherming en zorg voor voldoende ventilatie.
- 2.13 Houd de luchtsleuven en het mondstuk schoon om oververhitting van het apparaat en brandgevaar te voorkomen.
- 2.14 Gebruik alleen originele accessoires.
- 2.15 Mocht het apparaat beschadigd raken, gebruik het dan niet verder en laat deze repareren door een vakman of neem contact op met de klantenservice. Demonteer het heteluchtpistool niet en probeer het niet zelf te repareren.

### 3. Voor het eerste gebruik

Haal de machine en de accessoires uit de verpakking. Controleer de machine op transportschade en gebruik de machine niet in geval van schade. Houd het verpakkingsmateriaal uit de buurt van kinderen, risico op verstikking!

### 4. Inhoud van de verpakking

- 1x Accu heteluchtpistool
- 1x Plat mondstuk
- 1x Reflectie mondstuk
- 1x Concentratie mondstuk
- 1x Gebruiksaanwijzing

### 5. Beoogd gebruik

Het heteluchtpistool is ontworpen voor de volgende toepassingen:

- Voor het verwijderen van vernis, olieverf, latexverf en stickers.
- Voor het verwijderen van ski wax, stopverf en voor het losmaken van roestige of strakke moeren en schroeven.
- Voor het smelten van ijs in bevroren metalen buizen en sluisen.
- Voor het krimpen van verpakkingsfolie/krimpfolie.
- Voor het losmaken van vloeren.
- Voor het vervormen van kunststoffen.
- Voor het versneld drogen van verf, vernis, natte of vochtige stoffen of voorwerpen voordat deze verder worden verwerkt.

- Voor het benadrukken van de natuurlijke korrel.

### LET OP!

- Houd er rekening mee dat glazuren en grondlagen op hout niet met het heteluchtpistool kunnen worden verwijderd.
- Test eerst een klein niet zichtbaar gedeelte van het oppervlak voordat u een groter gebied gaat bewerken.
- Dampen van verven en kunststoffen zijn giftig. Zorg altijd voor voldoende ventilatie tijdens het werken in gebouwen en gebruik indien nodig inhalatiebescherming.
- Gebruik geen chemisch verfabijtmiddel of oplosmiddel tegelijkertijd wanneer u het heteluchtpistool gebruikt.
- Voor het verwijderen van verf en vernis, richt het mondstuk van het heteluchtpistool vanaf ongeveer 10 cm. afstand tot de verf, totdat deze begint te borrelen. Duw de verf in de blaasrichting van het substraat.
- Verwijder de verf na het verwarmen met geprofileerde oppervlakken met een staalborstel.
- Gebieden die niet mogen worden verwarmd, dek af met een niet ontvlambaar en slecht warmtegeleidend materiaal.
- Voordat u het apparaat schoonmaakt, moet u altijd de stekker uit het stopcontacthalen en het heteluchtpistool volledig laten afkoelen.

### 6. Mondstuk monteren

(Zie Fig. B)

**WAARSCHUWING:** verwijder altijd de batterij uit het heteluchtpistool voordat u het mondstuk bevestigt of verwijdert.

- a. Plaats het gewenste mondstuk (**A, B, C**) in de gereedschapshuls en duw deze vast.
- b. Om het mondstuk te verwijderen, draait u de gereedschapshuls (**2**) tegen de klok in en verwijdert u de mondstuk.

## 7. Ophangbeugel

(Zie Fig. C, D)

Met de meegeleverde ophangbeugel (3) kunt u het heteluchtpistool op een geschikte plaats ophangen.

- Til eerst de veer belaste ophangbeugel (3) op en trek deze vervolgens uit het gat.
- Bevestig de ophanghaak op een geschikte plaats, zodat u het heteluchtpistool bij de hand hebt.

## 8. De aan/uit schakelaar

**WAARSCHUWING:** Draag altijd geschikte persoonlijke beschermingsmiddelen bij het bedienen van het heteluchtpistool.

De veiligheidsschakelaar (4) bevindt zich altijd in de middenpositie, dus het heteluchtpistool is vergrendeld en kan niet worden ingeschakeld.

- Om het heteluchtpistool aan te zetten, duwt u eerst de veiligheidsschakelaar (4) naar rechts of naar links en drukt u vervolgens de triggerschakelaar (6) in.
- Laat de triggerschakelaar los om het heteluchtpistool te stoppen.

**LET OP!** De motor draait circa 6 seconden na. Dit om de motor af te laten koelen.

**Opmerking:** Het heteluchtpistool bereikt de bedrijfstemperatuur binnen enkele seconden.

- Verwarm het te behandelen object. Verplaats de mondstuk indien nodig dichters naar het object.
- Schakel het heteluchtpistool altijd uit nadat het werk is voltooid. Let op dat het mondstuk nog steeds erg heet is. Plaats het heteluchtpistool niet in de buurt van ontvlambare materialen.

## 9. Reiniging en onderhoud

**WAARSCHUWING:** Verwijder de accu voordat u reinigings- of onderhoudswerkzaamheden uitvoert.

### 9.1 Reiniging

- Gebruik alleen een vochtige doek om de machine schoon te maken. Gebruik geen agressieve chemicaliën die plastic onderdelen of schuurmiddelen kunnen oplossen. Houd de ventilatiesleuven altijd schoon en vrij van abstracties.
- Houd veiligheidsvoorzieningen, ventilatieopeningen en de behuizing van de motor zo goed mogelijk vrij van stof en vuil. Veeg de machine af met een schone doek of blaas hem uit met perslucht onder lage druk.
- Wij bevelen aan om de machine direct na ieder gebruik te reinigen.
- Reinig de machine regelmatig met een vochtige doek en een beetje zachte zeep. Gebruik geen reinigings- of oplosmiddelen; die kunnen de kunststof delen van de machine aantasten. Let erop dat er geen water in het binnenste van de machine kan komen.

### 9.2 Onderhoud

In het binnenwerk van de machine bevinden zich geen te onderhouden onderdelen.

## 10. Technische gegevens:

|                                      |                  |
|--------------------------------------|------------------|
| Nominale spanning . . . . .          | 18 V DC          |
| Stroomsterkte . . . . .              | 15,5 A           |
| Temperatuur . . . . .                | .550 °C          |
| Luchtstroom . . . . .                | 240 l/m          |
| Luchtstroomsnelheid . . . . .        | 15 m/s           |
| Productgewicht zonder accu . . . . . | 0,6 kg           |
| Afmetingen product . . . . .         | 17,5 × 7 × 20 cm |

## 11. Afvalverwerking en hergebruik



*De machine mag niet worden afgevoerd met het huishoudelijk afval.*

De machine bevindt zich in een verpakking om transportschade te vermijden. Deze verpakking is grondstof en is dus herbruikbaar of kan weer in de grondstoffenkringloop teruggevoerd worden. De machine en zijn accessoires bestaan uit verschillende materialen, zoals bijv. metaal en kunststoffen. Voer defecte onderdelen af als gevaarlijke stoffen. Vraag bij de vakhandel of op het gemeentehuis om meer informatie!

Het product en de gebruiksaanwijzing kunnen wijzigen. De technische gegevens kunnen zonder voorafgaande aankondiging worden gewijzigd.

### 11.1 Batterijen

Denk bij het afvoeren van batterijen aan de bescherming van het milieu. Neem voor milieuvriendelijke afvoer contact op met de lokale overheid.

## 12. EG-Conformiteitsverklaring

Hiermee verklaren wij, **Batavia B.V., Wethouder Wassebaliestraat 6d, NL-7951 SN Staphorst**, dat het apparaat **Accu hete-luchtpistool, Model BT-CHG001, Artikel Nr. 7063519** op grond van zijn ontwerp en bouwwijze en in de door ons in omloop gebrachte uitvoering voldoet aan de desbetreffend van toepassing zijnde fundamentele veiligheids- en gezondheidsvereisten van de EG-richtlijnen: **2014/30/EU** (Elektromagnetische compatibiliteit), **2006/42/EG** (Machines), **2014/35/EU** (LVD), **2011/65/EU** (RoHS). Voor de evaluatie van de conformiteit zijn de volgende geharmoniseerde normen toegepast:

**EN62233:2008**

**EN60335-2-45:2002+A1:2008+A2:2012**

**EN60335-1:2012+AC:2014**

**+A11:2014+A13:2017**

**EN55014-1:2017**

**EN55014-2:2015**

**AfPS GS 2019:01 PAK**

Staphorst, 6 juli 2021

Technische documentatie bewaard door:  
Meino Seinen,  
Batavia B.V., Weth.Wassebaliestraat 6d,  
7951 SN Staphorst, Nederland

Het product en de gebruiksaanwijzing kunnen wijzigen. De technische gegevens kunnen zonder voorafgaande aankondiging worden gewijzigd.

## Gentile cliente

Leggendo accuratamente tutti i capitoli del presente manuale nell'ordine presentato, potrà acquisire dimestichezza con il corretto uso del dispositivo. La invitiamo a conservare queste istruzioni di utilizzo per successive consultazioni.

### **Leggere le "Istruzioni di sicurezza generali per utensili elettrici" incluse e tutte le istruzioni di sicurezza aggiuntive nel presente manuale.**

Il presente manuale contiene informazioni importanti sull'utilizzo e la gestione del dispositivo. La invitiamo a conservare queste istruzioni di utilizzo per successive consultazioni. In caso di trasferimento dell'unità a terzi, dovrà essere ceduto anche il manuale.

### **Batteria e caricabatterie non inclusi.**

La batteria è disponibile separatamente, con il n. articolo: 7062517 (2 Ah), 7062518 (4 Ah) o 7063735 (5 Ah). Il caricabatterie è disponibile separatamente con il n. articolo: 7063688 (2,4 A) o 7063554 (4 A).

Questi articoli sono disponibili online e nei negozi associati.

## 1. Spiegazione dei simboli

I seguenti simboli sono utilizzati nel manuale di istruzioni e sul prodotto:



*Avviso! Per ridurre il rischio di lesioni, l'utente deve leggere le istruzioni del presente manuale.*



*Indica il rischio di lesioni personali, morte o danni all'apparecchio derivante dal mancato rispetto delle istruzioni contenute nel presente manuale.*



*CE è l'abbreviazione di Conformità Europea e ha il significato di "Ai sensi dei regolamenti dell'Unione Europea". Attraverso la marcatura CE, il produttore attesta che il presente utensile elettrico è conforme alle direttive europee vigenti.*



*Non smaltire gli utensili elettrici con i normali rifiuti domestici.*

## 2. Ulteriori istruzioni di sicurezza per l'uso della pistola termica senza a fili

- 2.1 Smaltire il materiale di imballaggio con la massima attenzione, tenendolo fuori dalla portata dei bambini. Sussiste il rischio di soffocamento.
- 2.2 Le persone con limitate capacità fisiche, sensoriali o mentali non possono utilizzare il dispositivo, a meno che non siano sorvegliate e ricevano le informazioni necessarie per la sicurezza da una persona qualificata.
- 2.3 Non lasciare incustodito il dispositivo quando è acceso e tenerlo fuori dalla portata di bambini e persone non autorizzate all'uso dello stesso.
- 2.4 Utilizzare il dispositivo solo per l'uso previsto e non per accendere il fuoco e asciugare i vestiti o altri materiali.
- 2.5 Assicurarsi che vi sia un'illuminazione sia adeguata nella zona di lavoro.
- 2.6 Poiché gli utensili tendono a riscaldarsi durante l'uso, lasciarli raffreddare prima di maneggiarli.
- 2.7 Ispezionare periodicamente tutti i dadi, i bulloni e gli altri elementi di fissaggio e stringerli, se necessario.
- 2.8 Spegnerne sempre la pistola termica una volta terminato il lavoro. Fare molta attenzione, poiché il dispositivo è molto caldo. Vi è il rischio di lesioni e incendio.
- 2.9 Fare attenzione durante l'uso dell'unità in prossimità di materiali infiammabili o che si fondono facilmente, come ad esempio la plastica o il vetro. Non utilizzare l'unità per un tempo prolungato nella stessa posizione. Non rivolgere mai l'unità verso persone, animali, piante, oggetti o liquidi infiammabili quando è accesa.
- 2.10 Non utilizzare in un'atmosfera esplosiva.
- 2.11 Fare molta attenzione, poiché il calore può essere condotto a materiali combustibili non visibili.
- 2.12 È importante ricordare che durante la rimozione di vernici possono generarsi gas tossici. Utilizzare un dispositivo di

protezione delle vie respiratorie e garantire un'adeguata ventilazione.

- 2.13 Tenere puliti le prese di aerazione e l'ugello, per evitare di surriscaldare l'unità e prevenire il rischio di incendio.
- 2.14 Utilizzare solo accessori originali.
- 2.15 Non utilizzare l'unità se è danneggiata e farla riparare da un tecnico professionista, oppure contattare il nostro servizio di assistenza clienti. Non smontare l'unità e non provare a ripararla autonomamente.

### 3. Operazioni preliminari al primo uso del prodotto

Rimuovere il dispositivo e gli accessori dalla confezione. Controllare la presenza di eventuali danni al dispositivo durante il trasporto e non usarlo se è danneggiato. Tenere i materiali di imballaggio del prodotto lontano dalla portata dei bambini, perché possono essere causa di soffocamento.

### 4. Contenuto della confezione

- 1 pistola ad aria calda a batteria
- 1 ugello piatto
- 1 ugello riflettente
- 1 ugello ad ampia concentrazione
- 1 istruzioni per l'uso

### 5. Destinazione d'uso

La pistola termica è pensata per le seguenti applicazioni:

- rimozione di vernici, pitture a base d'olio e lattice, adesivi;
- rimozione di sciolina e stucco e allentamento di dadi e viti arrugginiti o stretti;
- scioglimento del ghiaccio in tubi di metallo e serrature congelati;
- pellicole di imballaggio termoretraibili e tubi in film termoretraibile;
- rimozione di pavimenti;
- deformazione della plastica;
- asciugatura accelerata di pitture, vernici, sostanze o oggetti umidi o bagnati prima del loro ulteriore trattamento;
- sfiammatura di involucri in legno.

### AVVISO!

- È importante notare che gli smalti e i rivestimenti di base sul legno non possono essere rimossi con la pistola termica.
- Si raccomanda di eseguire una prova su una piccola area non visibile della superficie prima di applicare l'utensile su un'area più ampia.
- I vapori delle pitture e della plastica sono nocivi. Garantire sempre un'adeguata ventilazione se si lavora all'interno di edifici e indossare sempre un'adeguata protezione delle vie respiratorie, se necessario.
- Non usare sverniciatori o solventi chimici contemporaneamente quando si utilizza la pistola termica.
- Per rimuovere pittura e vernice, rivolgere l'ugello della pistola termica verso la superficie mantenendo una distanza di circa 10 cm, fino a quando inizia a sollevarsi. Rimuovere la vernice dal substrato spingendola nella direzione di soffiaggio.
- Se si lavora su superfici profilate, rimuovere la vernice dopo averla riscaldata utilizzando una spazzola metallica.
- Si raccomanda di coprire le aree che non devono essere riscaldate con un materiale non infiammabile e a bassa conducibilità.
- Prima di pulire l'unità, scollegarla dall'alimentazione e lasciarla raffreddare completamente.

### 6. Montaggio dell'ugello

(Vedere Fig. B).

**AVVERTENZA:** rimuovere sempre la batteria dal dispositivo prima di installare o rimuovere l'ugello.

- a. Inserire l'ugello desiderato (**A, B, C**) nel colletto di fissaggio degli utensili e spingere con forza.
- b. Per rimuovere l'ugello, ruotare il colletto di fissaggio degli utensili in senso antiorario ed estrarre l'ugello.



## 7. Gancio di fissaggio

(Vedere Fig. C, D)

Il gancio di fissaggio (3) fornito in dotazione serve per fissare la pistola termica su un supporto adatto.

- a. Per prima cosa, sollevare il gancio di fissaggio a molla (3) ed estrarlo dal foro.
- b. Agganciare il gancio di fissaggio ad un supporto adatto, in modo da avere sempre la pistola termica a portata di mano.

## 8. Interruttore accensione/ spegnimento

**AVVERTENZA:** indossare sempre adeguati dispositivi di protezione individuale durante la preparazione e l'uso dell'utensile. L'interruttore di sicurezza (4) deve sempre essere in posizione centrale, in modo che la pistola termica sia bloccata e non possa avviarsi accidentalmente.

- a. Per mettere in funzione l'utensile, spingere dapprima l'interruttore di sicurezza (4) verso destra o verso sinistra, quindi premere il grilletto di azionamento (6).
- b. Rilasciare il grilletto di azionamento per spegnere la pistola termica.

**ATTENZIONE!** Il motore rimarrà acceso per circa 6 secondi, necessari affinché si raffreddi.

**Nota:** la pistola termica raggiunge la temperatura di esercizio in pochi secondi.

- c. Riscaldare l'oggetto da trattare. Se necessario, avvicinare l'ugello all'oggetto.
- d. Spegnere sempre la pistola termica una volta terminato il lavoro. Fare molta attenzione, poiché l'ugello è molto caldo. Non posizionare la pistola termica in prossimità di materiali infiammabili.

## 9. Pulizia e manutenzione

**AVVERTENZA:** Rimuovere la batteria prima di procedere a operazioni di pulizia/manutenzione dell'utensile.

### 9.1 Pulizia

- Utilizzare solamente un panno umido per pulire l'unità. Non utilizzare sostanze chimiche aggressive, che potrebbero decomporre le parti in plastica, o abrasive. Pulire sempre le aperture di ventilazione e tenerle libere da eventuali ostruzioni.
- Tenere i dispositivi di sicurezza, aperture di ventilazione e la carcassa del motore il più possibile liberi da sporco e polvere. Strofinare l'utensile elettrico con un panno pulito o soffiare su di esso con aria compressa a bassa pressione.
- Si consiglia di pulire l'utensile elettrico immediatamente dopo l'uso.
- Pulire l'utensile elettrico regolarmente con un panno umido e un sapone delicato.

### 9.2 Manutenzione

Non sono presenti parti interne dell'utensile che richiedono manutenzione.

## 10. Dati tecnici

|  |                  |
|--|------------------|
| Tensione nominale . . . . .                | 18 V CC          |
| Potenza elettrica. . . . .                 | 15,5 A           |
| Temperatura di impostazione . . . . .      | 550 °C           |
| Flusso d'aria . . . . .                    | 240 l/m          |
| Velocità del flusso d'aria . . . . .       | 15 m/s           |
| Peso del prodotto senza batteria . . . . . | 0,6 kg           |
| Dimensioni del prodotto . . . . .          | 17,5 x 7 x 20 cm |

## 11. Smaltimento



**Non smaltire gli utensili elettrici con i normali rifiuti domestici.**

L'utensile elettrico viene spedito in una confezione per ridurre i danni dovuti al trasporto. Questo imballaggio è una materia prima e come tale può o essere riutilizzata o può essere reimmessa nel ciclo delle materie prime. L'utensile elettrico e i relativi accessori sono realizzati in vari materiali come metalli e plastiche. Portare i componenti difettosi a un punto di raccolta dei rifiuti. Chiedete informazioni su questi punti di raccolta al vostro negozio specializzato o Comune. Il prodotto e il manuale dell'utente possono essere soggetti a modifiche. I dati tecnici possono essere modificati senza preavviso.

### 11.1 Batterie

Smaltire le batterie rispettando le norme di protezione ambientale. Contattare le autorità locali per sapere dove si trova il centro di smaltimento batterie più vicino. Non smaltire le batterie con i rifiuti domestici. Non smaltire le batterie bruciandole, altrimenti potrebbero esplodere.

## 12. Dichiarazione di conformità CE

Noi sottoscritti **Batavia B.V., Weth. Wassebaliestraat 6d, NL-7951 SN Staphorst** dichiara, sotto la sua piena responsabilità, che la **pistola ad aria calda a batteria, modello BT-CHG001, numero articolo 7063519** soddisfa i requisiti essenziali definiti nella Direttiva Europea sulla Compatibilità Elettromagnetica **2014/30/UE** (CEM), la Direttiva **2006/42/CE** (Direttiva Macchine), **2014/35/EU** (LVD), la Direttiva **2011/65/UE** (RoHS) e relativi emendamenti. Per la valutazione di conformità, sono stati consultati i seguenti standard armonizzati europei:

**EN62233:2008**

**EN60335-2-45:2002+A1:2008+A2:2012**

**EN60335-1:2012+AC:2014**

**+A11:2014+A13:2017**

**EN55014-1:2017**

**EN55014-2:2015**

**AfPS GS 2019:01 PAK**

Staphorst, 6 luglio 2021

Meinou Seinen, Rappresentante QA  
Batavia B.V., Weth. Wassebaliestraat 6d,  
7951 SN Staphorst, Paesi Bassi

Il prodotto e il manuale dell'utente possono essere soggetti a modifiche. I dati tecnici possono essere modificati senza preavviso.

## Estimado cliente:

Familiarícese con el uso adecuado del aparato leyendo todos los capítulos de este manual en el orden en el que se presentan. Conserve estas instrucciones para poder consultarlas con posterioridad.

### ¡Lea el documento «Instrucciones generales de seguridad en materia de herramientas eléctricas» adjunto y todas las instrucciones de seguridad adicionales en estas instrucciones de uso!

Esta manual contiene información importante acerca de cómo operar y manipular el aparato. Conserve estas instrucciones para poder consultarlas con posterioridad. Si le cede el aparato a un tercero, entréguele también este manual.

### ¡La batería y el cargador no se incluyen!

La batería debe adquirirse por separado. N.º de artículo de la batería: 7062517 (2 Ah), 7062518 (4 Ah) o 7063735 (5 Ah). El cargador de la batería debe adquirirse por separado. N.º de artículo de la batería: 7063688 (2,4 A) o 7063554 (4 A).

Estos artículos están disponibles en línea y en las tiendas autorizadas.

## 1. Explicación de los símbolos

Los símbolos siguientes aparecen en el manual de usuario o en el producto:



*¡Advertencia! Lea el manual de instrucciones para reducir el riesgo de lesiones personales.*



*Indica el riesgo de lesiones personales, muerte o daño de la herramienta en caso de no observar las instrucciones recogidas en este manual.*



*El marcado CE (Conformidad Europea) es indicativo de que se cumple con las normativas de la UE. Con el marcado CE, el fabricante confirma que esta herramienta eléctrica cumple con las directivas europeas aplicables.*



*No deseche las herramientas eléctricas junto a los residuos domésticos.*

## 2. Instrucciones de seguridad adicionales en materia de pistolas de aire caliente inalámbricas

- 2.1 Elimine cuidadosamente el material de embalaje usado o guárdelo fuera del alcance de los niños. ¡Dicho material entraña un riesgo de asfixia!
- 2.2 Las personas con discapacidad (física, sensorial o mental) no pueden usar el aparato a menos que cuenten con la debida supervisión e información por parte de una persona cualificada que vele por su seguridad.
- 2.3 No deje el aparato encendido desatendido y manténgalo fuera del alcance de los niños y las personas que requieran supervisión.
- 2.4 Solo utilice el aparato para los usos previstos y nunca para avivar un fuego ni secar la ropa u otros materiales.
- 2.5 Asegúrese de que el área de trabajo disponga de una iluminación adecuada.
- 2.6 Las herramientas se calientan durante el uso, así pues, permita que se enfríen antes de manipularlas.
- 2.7 Revise periódicamente todas las tuercas, pernos y otras sujeciones, apretando cuando sea necesario.
- 2.8 Siempre apague la pistola de aire caliente una vez finalizado el trabajo. Tenga en cuenta que el aparato puede estar muy caliente. ¡Existe riesgo de lesiones e incendio!
- 2.9 Extreme las precauciones al utilizar la unidad cerca de materiales inflamables o materiales susceptibles de fundirse fácilmente como los plásticos y el vidrio. No apunte la unidad hacia el mismo lugar durante mucho tiempo. Nunca apunte la unidad en funcionamiento hacia personas, animales, plantas, objetos inflamables ni líquidos.
- 2.10 No utilice la unidad en atmósferas explosivas.
- 2.11 Tenga presente que el calor puede llegar hasta materiales combustibles que no están a la vista.

- 2.12 Tenga en cuenta que, durante la remoción de pintura, pueden generarse gases venenosos. Utilice un equipo de protección respiratorio adecuado y asegure la debida ventilación del área de trabajo.
- 2.13 Mantenga las ranuras de ventilación y las boquillas limpias para evitar un sobrecalentamiento de la unidad y el riesgo de incendio.
- 2.14 Solo utilice accesorios originales.
- 2.15 Si la unidad se daña, deje de utilizarla y encargue su reparación a un profesional o póngase en contacto con nuestro equipo de Asistencia al Cliente. No desarme la unidad ni trate de repararla por su cuenta.

### 3. Antes de usar por primera vez

Saque la herramienta y los accesorios del paquete. Compruebe que la herramienta no haya sufrido ningún daño durante el transporte. En caso de notar algún daño, no la utilice. Mantenga el material de embalaje fuera del alcance de los niños, de manera de evitar cualquier riesgo de asfixia.

### 4. Contenido del paquete

- 1 pistola de aire caliente inalámbrica
- 1 boquilla plana
- 1 boquilla reflectante
- 1 boquilla de concentración
- 1 manual de instrucciones

### 5. Uso previsto

La pistola de aire caliente ha sido diseñada para las siguientes aplicaciones:

- Eliminar barniz, pinturas de aceite o látex y pegatinas.
- Eliminar cera de esquí y masilla, así como para aflojar tuercas y tornillos oxidados o muy apretados.
- Derretir el hielo en tuberías y cerraduras de metal congeladas.
- Para contraer los plásticos de embalaje y los tubos termorretráctiles.
- Para despegar revestimientos del suelo.
- Para deformar plásticos.
- Para acelerar el secado de pinturas; barnices; sustancias mojadas o húme-

das, y objetos antes de continuar con un procedimiento posterior.

- Flamear recubrimientos de madera.

### ¡ADVERTENCIA!

- Tenga en cuenta que los esmaltes y las capas de base sobre madera no se pueden eliminar con la pistola de aire caliente.
- Primero, haga una prueba sobre una sección pequeña no visible de la superficie antes de proceder con un área más grande.
- Los vapores que generan las pinturas y los plásticos son tóxicos. Asegure una adecuada ventilación en todo momento y, en caso de trabajar en interiores, utilice un equipo de protección respiratoria si fuera necesario.
- No utilice decapantes químicos de pintura ni solventes al mismo tiempo al usar la pistola de aire caliente.
- Para eliminar pinturas y barnices, dirija la boquilla de la pistola de aire caliente hacia la pintura, a unos 10 cm de distancia, hasta que comience a burbujear. Empuje la pintura en la dirección de soplado del sustrato.
- En el caso de las superficies con perfiles, elimine la pintura después de calentar usando un cepillo de alambre.
- En el caso de aquellas áreas que no se deban calentar, cúbralas con un material no inflamable y de baja conductividad térmica.
- Antes de limpiar la unidad, desenchúfela primeramente y permita que se enfríe completamente.

### 6. Colocación de las boquillas

(Consulte la **figura B**)

**ADVERTENCIA:** Siempre retire la batería del aparato antes de colocar o quitar una boquilla.

- a. Inserte la boquilla deseada (**A, B, C**) en el engaste de la herramienta y empújela firmemente.
- b. Para retirar la boquilla, gire el engaste en sentido antihorario y tire de la boquilla.

## 7. Gancho

(Consulte las **figuras C y D**)

Gracias al gancho integrado **(3)**, es posible asegurar la pistola de aire caliente en cualquier lugar adecuado.

- Primero, levante el gancho accionado por resorte **(3)** y, seguidamente, sáquelo del agujero.
- Asegure el gancho en un lugar adecuado, de manera de tener a mano la pistola de aire caliente.

## 8. Interruptor de encendido/apagado

**ADVERTENCIA:** Siempre utilice un equipo de protección individual al ajustar y usar la herramienta. El interruptor de seguridad **(4)** siempre está en posición central, por lo que la pistola de aire caliente está bloqueada y no puede ponerse en marcha.

- Para poner en marcha la herramienta, desplace primeramente el interruptor de seguridad **(4)** hacia la derecha o hacia la izquierda y, seguidamente, apriete el interruptor de gatillo **(6)**.
- Suelte el interruptor de gatillo para apagar la pistola de aire caliente.

**¡ATENCIÓN!** El motor seguirá en marcha durante aproximadamente 6 segundos. Es algo necesario para enfriar el motor.

**Nota:** La pistola de aire caliente alcanza la temperatura de funcionamiento en pocos segundos.

- Caliente el objeto en cuestión. Si fuera necesario, acerque la boquilla al objeto.
- Siempre apague la pistola de aire tras finalizar un trabajo. Tenga en cuenta que la boquilla sigue estando muy caliente. No coloque la pistola de aire caliente cerca de materiales inflamables.

## 9. Limpieza y mantenimiento

**ADVERTENCIA:** Retire la batería antes de realizar cualquier tarea de mantenimiento o limpieza de la herramienta.

### 9.1 Limpieza

- Utilice únicamente un paño húmedo para limpiar la unidad. No utilice abrasivos ni productos químicos agresivos que puedan disolver las piezas de plástico. Mantenga las ranuras de ventilación limpias y libres de obstrucciones en todo momento.
- Mantenga los dispositivos de seguridad, las aberturas de ventilación y la carcasa del motor en el mejor estado de limpieza posible, esto es, deben estar libres de sucio y polvo. Para ello, utilice aire comprimido a baja presión y un paño limpio.
- Le recomendamos limpiar su herramienta eléctrica inmediatamente después de cada uso.
- Limpie la herramienta eléctrica regularmente con un paño humedecido con agua jabonosa (utilice únicamente detergentes suaves).

### 9.2 Mantenimiento

Ninguna parte interna de la herramienta requiere mantenimiento.

## 10. Datos técnicos

|   |                  |
|---|------------------|
| Tensión nominal . . . . .                         | 18 V CC          |
| Intensidad de la corriente. . . . .               | 15,5 A           |
| Ajuste de la temperatura . . . . .                | 550 °C           |
| Caudal de aire . . . . .                          | 240 l/m          |
| Velocidad del flujo de aire . . . . .             | 15 m/s           |
| Peso de la herramienta<br>(sin batería) . . . . . | 0,6 kg           |
| Dimensiones de<br>la herramienta . . . . .        | 17,5 × 7 × 20 cm |

## 11. Eliminación



**No deseche las herramientas eléctricas junto a los residuos domésticos.**

El embalaje en el que se envía esta herramienta reduce los daños debidos al transporte. El material de embalaje en cuestión es una materia prima que se puede reutilizar o reciclar. La herramienta eléctrica y sus accesorios están fabricados con diferentes materiales como metales y plástico. Lleve los componentes defectuosos a un punto de recogida de residuos especiales. Puede consultar con el vendedor o su ayuntamiento al respecto. Tanto el producto como el manual de usuario están sujetos a cambios. Los datos técnicos pueden cambiar sin previo aviso.

### 11.1 Baterías

Piense en el medioambiente al desechar las baterías. Póngase en contacto con las autoridades locales para saber dónde se encuentra el punto de recogida mas cercano para este tipo de residuos. No deseche las baterías junto a los residuos domésticos.

No elimine las baterías quemándolas, ya que esto entraña un riesgo de explosión.

## 12. Declaración CE de conformidad

Nosotros, **Batavia B.V., con domicilio social en Weth. Wassebaliestraat 6d, NL-7951 SN Staphorst**, declaramos bajo nuestra propia responsabilidad que la **pis-tola de aire caliente inalámbrica, modelo BT-CHG001, n.º de artículo 7063519**, cumple con los requisitos básicos recogidos en la Directiva **2014/30/EU** del Parlamento Europeo y del Consejo en materia de compatibilidad electromagnética (EMC), la Directiva **2006/42/CE** relativa a las máquinas, la Directiva **2014/35/EU** (LVD), y la Directiva **2011/65/EU** sobre restricciones a la utilización de determinadas sustancias peligrosas en aparatos eléctricos y electrónicos (también conocida como RoHS) y sus enmiendas. Para la evaluación del cumplimiento normativo se consultaron las siguientes normas armonizadas:

**EN62233:2008**

**EN60335-2-45:2002+A1:2008+A2:2012**

**EN60335-1:2012+AC:2014**

**+A11:2014+A13:2017**

**EN55014-1:2017**

**EN55014-2:2015**

**AfPS GS 2019:01 PAK**

Staphorst, 6 de julio de 2021

Meino Seinen, representante de Aseguramiento de la Calidad de Batavia B.V., Weth. Wassebaliestraat 6d, 7951 SN Staphorst, Países Bajos

Tanto el producto como el manual de usuario están sujetos a cambios. Los datos técnicos pueden cambiar sin previo aviso.

## Estimado cliente

Familiarize-se com a utilização adequada do dispositivo através da leitura e cumprimento de cada capítulo deste manual, pela ordem apresentada. Guarde estas instruções de utilização para consulta futura.

**Leia as "Instruções de segurança gerais para ferramentas elétricas" e todas as instruções de segurança adicionais neste manual!**

Este manual contém informações importantes sobre a utilização e manuseamento do dispositivo. Guarde estas instruções de utilização para consulta futura. Entregue-as juntamente com a unidade caso empreste o equipamento a terceiros.

### Bateria e carregador não incluídos!

A bateria está disponível separadamente art.º n.º: 7062517 (2 Ah), 7062518 (4 Ah) ou 7063735 (5 Ah). O carregador está disponível separadamente art.º n.º: 7063688 (2,4 A) ou 7063554 (4 A).

Estes itens estão disponíveis para venda online e nas lojas de revenda.

## 1. Explicação dos símbolos

Os seguintes símbolos são utilizados no manual do utilizador ou no produto:



*Aviso! Para reduzir o risco de lesões, o utilizador deve ler o manual de instruções.*



*Indica risco de lesões corporais, morte ou danos no equipamento no caso de não observância das instruções neste manual.*



*"CE" significa "Conformidade Europeia", o que indica "em conformidade com a regulamentação da UE". Com a marcação CE, o fabricante confirma que esta ferramenta elétrica cumpre com as diretivas europeias aplicáveis.*



*Não elimine as ferramentas elétricas juntamente com os resíduos domésticos.*

## 2. Instruções de segurança adicionais para pistolas de ar quente sem fios

- 2.1 Elimine o material de embalagem utilizado com cuidado e guarde-o fora do alcance das crianças. Risco de asfixia!
- 2.2 As pessoas com capacidades físicas, sensoriais ou mentais reduzidas não devem utilizar o dispositivo, exceto se sob supervisão ou se tiverem recebido instruções relativas à segurança por uma pessoa qualificada.
- 2.3 Não deixe o dispositivo ligado sem vigilância e mantenha-o fora do alcance das crianças e de pessoas que necessitem de supervisão.
- 2.4 Utilize o dispositivo apenas conforme previsto e não, p. ex., para acender fogo, secar roupas ou outros materiais.
- 2.5 Certifique-se de que a iluminação é adequada na área de trabalho.
- 2.6 As ferramentas ficam quentes durante a operação; permita que arrefeçam antes de as manusear.
- 2.7 Verifique periodicamente todas as porcas, parafusos e outros acessórios e aperte-os sempre que necessário.
- 2.8 Desligue sempre a pistola de ar quente após a utilização. Tenha em conta que o dispositivo ainda está muito quente. Risco de lesões e incêndio!
- 2.9 Cuidado quando utilizar a unidade perto de materiais inflamáveis ou facilmente fundíveis como, por exemplo, plásticos ou vidro. Não aponte a unidade para o mesmo local durante muito tempo. Nunca aponte a unidade em funcionamento para pessoas, animais, plantas ou objetos ou líquidos inflamáveis.
- 2.10 Não utilize a unidade numa atmosfera explosiva.
- 2.11 Deve ter em atenção que o calor pode ser direcionado para os materiais combustíveis que não estão visíveis.
- 2.12 Tenha em conta que podem ser emitidos gases tóxicos durante a remoção de tinta. Utilize proteção das vias respi-

ratórias e garanta uma ventilação adequada.

2.13 Mantenha as ranhuras de ar e o bico limpos para evitar o sobreaquecimento da unidade e para prevenir o risco de incêndio.

2.14 Utilize apenas acessórios originais.

2.15 Caso a unidade fique danificada, deixe de a utilizar e solicite a sua reparação por um profissional ou entre em contacto com o nosso serviço de apoio ao cliente. Não desmonte a unidade nem tente repará-la sem auxílio.

### 3. Antes da primeira utilização

Retire a máquina e os acessórios da embalagem. Verifique se a máquina apresenta danos causados pelo transporte e, se assim for, não a utilize. Mantenha os materiais de embalagem longe do alcance das crianças - risco de asfixia!

### 4. Conteúdo da embalagem

1 x Pistola de ar quente sem fios

1 x Bico plano

1 x Bico refletor

1 x Bico de concentração

1x Instruções de funcionamento

### 5. Utilização prevista

A pistola de ar quente foi concebida para as seguintes áreas de aplicação:

- para a remoção de verniz ou tinta a óleo e tinta látex, autocolantes;
- para a remoção de cera para esquis, massa e para soltar porcas e parafusos ferrugentos ou apertados;
- para derreter gelo em tubos e fechaduras metálicas congeladas;
- para aplicar película termorretrátil em embalagens e tubos;
- para soltar pavimentos;
- para deformar plásticos;
- para acelerar o processo de secagem de tinta, verniz, substâncias ou objetos molhados ou húmidos antes de serem processados;
- para flamear invólucros de madeira.

### AVISO!

- Tenha em conta que o esmalte e revestimentos de base na madeira não podem ser removidos com a pistola de ar quente.
- Primeiro teste numa pequena secção não visível da superfície antes de tratar uma área mais extensa.
- Os vapores de tintas e plásticos são tóxicos. Garanta sempre uma ventilação adequada enquanto trabalha em edifícios e, se necessário, utilize proteção das vias respiratórias.
- Não utilize decapante químico nem solvente ao mesmo tempo que utiliza a pistola de ar quente.
- Para remover tinta e verniz, direcione o bico da pistola de ar quente a aprox. 10 cm de distância da tinta, até começar a borbulhar. Remova a tinta do seu substrato na direção da sopragem.
- Em superfícies perfiladas, remova a tinta depois de aquecer utilizando uma escova de arame.
- Cubra as áreas que não devem ser aquecidas com material não inflamável e não condutor de calor.
- Antes de limpar a unidade, desligue sempre e permita que a pistola de ar quente arrefeça totalmente.

### 6. Montar o bico

(veja a **Fig. B**)

**AVISO:** Remova sempre a bateria do dispositivo antes de fixar ou remover o bico.

- a. Insira o bico pretendido (**A, B, C**) na gola da ferramenta e empurre-a firmemente.
- b. Para remover o bico, gire a gola da ferramenta no sentido contrário ao dos ponteiros do relógio e retire o bico.

### 7. Gancho de fixação

(Ver **Fig. C, D**)

Com o gancho de fixação (**3**) fornecido, pode apertar a pistola de ar quente num local adequado.

- a. Primeiro eleve o gancho de fixação de mola (**3**) e, em seguida, retire-o do orifício.



- b. Aperte o gancho de fixação num local adequado, para que tenha a pistola de ar quente pronta, à mão.

## 8. Interruptor de LIGAR/DESLIGAR

**AVISO:** Utilize sempre equipamento de proteção individual adequado quando definir e operar a ferramenta. O interruptor de segurança (4) está sempre na posição central, logo, a pistola de ar quente está bloqueada e não pode ser ligada.

- a. Para iniciar a ferramenta, primeiro empurre o interruptor de segurança (4) para a direita ou esquerda e, em seguida, aperte o interruptor de gatilho (6).
- b. Solte o interruptor de gatilho para parar a pistola de ar quente.

**ATENÇÃO!** O motor ainda trabalhará durante aprox. 6 segundos. Isso é necessário para arrefecer o motor.

**Nota:** a pistola de ar quente atinge a temperatura de funcionamento dentro de poucos segundos.

- c. Aqueça o objeto a tratar. Se necessário, mova o bico para mais perto do objeto.
- d. Desligue sempre a pistola de ar quente depois de concluir o trabalho. Tenha em conta que o bico ainda está muito quente. Não coloque a pistola de ar quente junto de materiais inflamáveis.

## 9. Limpeza e manutenção

**AVISO:** Retire a bateria antes de realizar qualquer manutenção/limpeza da ferramenta.

### 9.1 Limpeza

- Utilize apenas um pano húmido para limpar a unidade. Não utilize químicos agressivos que possam dissolver peças de plástico, ou abrasivos. Mantenha sempre as ranhuras de ventilação limpas e sem obstruções.
- Mantenha os dispositivos de segurança, os orifícios de ventilação e a caixa do motor o mais limpos possível (de sujidade e pó). Limpe a ferramenta elétrica com um pano limpo ou sobre-a com um equipamento de ar comprimido de baixa pressão.
- Recomendamos a limpeza da sua ferramenta elétrica imediatamente após cada utilização.
- Limpe a ferramenta elétrica regularmente com um pano húmido e algum sabão suave.

### 9.2 Manutenção

Não existem quaisquer peças internas que necessitem de manutenção.

## 10. Dados técnicos

|                                       |                  |
|---------------------------------------|------------------|
| Tensão nominal . . . . .              | 18 V CC          |
| Intensidade da corrente . . . . .     | 15,5 A           |
| Definição da temperatura . . . . .    | 550 °C           |
| Fluxo de ar . . . . .                 | 240 l/m          |
| Velocidade do fluxo de ar. . . . .    | 15 m/s           |
| Peso do produto sem bateria . . . . . | 0,6 kg           |
| Dimensões do produto . . . . .        | 17,5 × 7 × 20 cm |

## 11. Eliminação



**Não elimine as ferramentas elétricas juntamente com os resíduos domésticos.**

Esta ferramenta elétrica é expedida numa embalagem para minimizar os danos de transporte. Esta embalagem é uma matéria-prima e, como tal, pode ser reutilizada ou reintroduzida no respetivo ciclo. Esta ferramenta elétrica e os seus acessórios são feitos de vários materiais, tais como metais e plásticos. Leve as peças defeituosas para um ponto de recolha especial. Coloque as suas questões a este respeito numa loja da especialidade ou autoridade local. O produto e o manual do utilizador podem ser sujeitos a alterações. Os dados técnicos podem ser alterados sem aviso prévio.

### 11.1 Bateria

Pense no ambiente sempre que eliminar baterias. Contacte as autoridades locais para saber a localização da área de eliminação de resíduos mais próxima. Não elimine as baterias juntamente com os resíduos domésticos.

Não elimine a bateria queimando-a - risco de explosão.

## 12. Declaração de conformidade CE

Nós, **Batavia B.V., Weth. Wassebaliestraat 6d, NL-7951 SN Staphorst**, declaramos sob a nossa responsabilidade que o produto **Pistola de ar quente sem fios, Modelo BT-CHG001, Item n.º 7063519** está de acordo com os requisitos básicos definidos nas Diretivas Europeia **2014/30/UE** (relativa à compatibilidade eletromagnética, (CEM)), **2006/42/CE** (relativa às máquinas), **2014/35/EU** (LVD), **2011/65/UE** (relativa à restrição do uso de determinadas substâncias perigosas em equipamentos elétricos e eletrónicos) e respetivas alterações. Para a avaliação de conformidade, foram consultadas as seguintes normas harmonizadas:

**EN62233:2008**

**EN60335-2-45:2002+A1:2008+A2:2012**

**EN60335-1:2012+AC:2014**

**+A11:2014+A13:2017**

**EN55014-1:2017**

**EN55014-2:2015**

**AfPS GS 2019:01 PAK**

Staphorst, 6 de julho de 2021

Meino Seinen, QA Representative  
Batavia B.V., Weth. Wassebaliestraat 6d,  
7951 SN Staphorst, Países Baixos

O produto e o manual do utilizador podem ser sujeitos a alterações. Os dados técnicos podem ser alterados sem aviso prévio.

## Szanowny Kliencie!

Prosimy o zapoznanie się z prawidłowym użyciem urządzenia poprzez przeczytanie każdego z poniższych rozdziałów instrukcji, w podanej kolejności. Zachować instrukcję obsługi do wykorzystania w przyszłości.

### Prosimy o przeczytanie załączonych „Ogólne wskazówki dotyczące bezpieczeństwa elektronarzędzi” oraz dodatkowych zaleceń bezpieczeństwa zawartych w niniejszej instrukcji obsługi!

Niniejsza instrukcja zawiera najważniejsze informacje dotyczące bezpiecznej obsługi i korzystania z urządzenia. Zachować instrukcję obsługi do wykorzystania w przyszłości. Prosimy o dołączenie instrukcji do urządzenia w przypadku przekazywania urządzenia innej osobie.

### Akumulator i ładowarka nie wchodzą w skład zestawu!

Akumulator dostępny jest oddzielnie jako art. nr: 7062517 (2 Ah), 7062518 (4 Ah) lub 7063735 (5 Ah). Ładowarka dostępna jest oddzielnie jako art. nr: 7063688 (2,4 A) lub 7063554 (4 A).

Pozycje te są dostępne online oraz w sklepach partnerskich.

## 1. Objaśnienie symboli

W instrukcji obsługi lub na produkcie stosowane są następujące symbole:



**Ostrzeżenie!** W celu zredukowania ryzyka obrażeń użytkownik musi przeczytać instrukcję obsługi.



Wskazuje na zagrożenie zranieniem ciała, utratą życia lub uszkodzeniem narzędzia w przypadku nieprzestrzegania zaleceń zawartych w niniejszej instrukcji.



CE jest skrótem od „Conformité Européenne”, co oznacza „Zgodnie z przepisami UE”. Za pomocą znaku CE producent potwierdza, że niniejsze elektronarzędzie spełnia wymagania obowiązujących dyrektyw UE.



Nie należy utylizować elektronarzędzi z odpadami domowymi.

## 2. Dodatkowe środki ostrożności dotyczące opalarek bezprzewodowych

- 2.1 Niepotrzebny materiał opakowania starannie zutylizować lub przechowywać w miejscu niedostępnym dla dzieci. Występuje zagrożenie uduszeniem!
- 2.2 Osoby o ograniczonej sprawności fizycznej, sensorycznej lub umysłowej nie mogą używać urządzenia, chyba że będą nadzorowane oraz zostaną poinstruowane w zakresie bezpiecznej obsługi produktu przez wykwalifikowaną osobę.
- 2.3 Nie pozostawiać włączonego urządzenia bez nadzoru. Przechowywać urządzenie poza zasięgiem dzieci i osób wymagających nadzoru.
- 2.4 Urządzenia używać tylko zgodnie z przeznaczeniem, nie używać do: rozpalania ognia, suszenia ubrań lub innych materiałów itp.
- 2.5 Zawsze zadbać o odpowiednie oświetlenie miejsca pracy.
- 2.6 Narzędzia nagrzewają się podczas pracy; przed przenoszeniem należy umożliwić ich wystygnięcie.
- 2.7 Okresowo sprawdzać wszystkie nakrętki, śruby oraz pozostałe elementy złączne i dokręcić je, kiedy to konieczne.
- 2.8 Po pracy zawsze wyłączyć opalarkę. Należy pamiętać, że urządzenie jest nadal bardzo gorące. Istnieje ryzyko obrażeń oraz pożaru!
- 2.9 Zachować ostrożność podczas korzystania z urządzenia w pobliżu materiałów łatwopalnych lub łatwotopliwych, takich jak tworzywa sztuczne bądź szkło. Nie kierować urządzenia w jedno miejsce przez długi okres czasu. Nigdy nie kierować wylotu urządzenia na ludzi, zwierzęta, rośliny, łatwopalne przedmioty lub ciecze.

- 2.10 Nie używać urządzenia w miejscach zagrożonych wybuchem.
- 2.11 Należy pamiętać, że ciepło może przedostać się do materiałów palnych, które są niewidoczne.
- 2.12 Należy pamiętać, że podczas usuwania farby mogą wydzielać się toksyczne gazy. Stosować odpowiednią ochronę dróg oddechowych i zapewnić odpowiednią wentylację.
- 2.13 Szczeliny wentylacyjne i dyszę utrzymywać w czystości, aby uniknąć przegrzania urządzenia i zapobiec niebezpieczeństwu pożaru.
- 2.14 Używać wyłącznie oryginalnych akcesoriów.
- 2.15 Jeśli dojdzie do uszkodzenia urządzenia należy zaprzestać korzystania z niego i dokonać jego naprawy u profesjonalisty lub skontaktować się z naszym działem obsługi klienta. Nie należy rozmontowywać produktu ani próbować naprawiać go na własną rękę.

### 3. Przed pierwszym użyciem

Wyjąć urządzenie oraz akcesoria z opakowania. Sprawdzić urządzenie pod kątem uszkodzeń w czasie transportu i w razie uszkodzeń nie używać urządzenia. Opakowania chronić przed dziećmi, ryzyko uduszenia!

### 4. Zawartość opakowania

- 1x bezprzewodowa opalarka
- 1x dysza płaska
- 1x dysza refleksyjna
- 1x dysza redukcyjna
- 1 x instrukcja obsługi

### 5. Przeznaczenie

Opalarka przeznaczona jest do następujących zastosowań:

- usuwanie lakieru lub farby olejnej, farby lateksowej, naklejek;
- usuwanie wosku z nart, szpachli i zardzewiałych nakrętek oraz śrub;
- topienie lodu w zamrożonych rurach metalowych i zamkach;

- obkurczanie folii opakowaniowych i rurek termokurczliwych;
- usuwanie wykładzin podłogowych;
- formowanie tworzyw sztucznych;
- przyspieszanie procesu schnięcia farb, lakierów, mokrych lub wilgotnych substancji bądź przedmiotów, przed dalszą obróbką;
- opalania boazerii drewnianych.

### OSTRZEŻENIE!

- Należy zdawać sobie sprawę, że za pomocą opalarki nie można usunąć szkliv i podkładów z drewna.
- Przed obróbką większego obszaru najpierw należy sprawdzić mały, niewidoczny fragment powierzchni.
- Opary farb i tworzyw sztucznych są toksyczne. W przypadku pracy w budynkach należy zawsze zapewnić odpowiednią wentylację oraz – w razie potrzeby – stosować ochronę dróg oddechowych.
- Podczas korzystania z opalarki nie używać jednocześnie chemicznego środka do usuwania farby lub rozpuszczalnika.
- Aby usunąć farbę lub lakier, dyszę opalarki należy trzymać ok. 10 cm od opalanego miejsca – do momentu pojawienia się efektu „spurchlania”. Usuwać farbę z podłoża, zgodnie z kierunkiem nadmuchu.
- Po podgrzaniu powierzchni profilowanych farb usunąć za pomocą drucianej szczotki.
- Miejsca, które nie powinny być ogrzewane, należy przykryć materiałem niepalnym, słabo przewodzącym ciepło.
- Przed czyszczeniem: urządzenie zawsze należy odłączyć od zasilania i pozostawić do całkowitego wystygnięcia.

## 6. Zakładanie dyszy

(Patrz rys. B)

**OSTRZEŻENIE:** Przed założeniem lub zdjęciem dyszy zawsze należy wyjąć akumulator z urządzenia.

- Założyć wybraną dyszę (**A, B, C**) na tuleję, po czym mocno docisnąć.
- W celu zdjęcia dyszy, obrócić tuleję w kierunku przeciwnym do ruchu wskazówek zegara i zdjąć dyszę.

## 7. Hak

(Patrz Rys. C, D)

Za pomocą wbudowanego haka (**3**) można powiesić opalarkę w dogodnym miejscu.

- Podnieść hak (**3**), a następnie wyjąć go z otworu.
- Umieścić hak w dogodnym miejscu, aby mieć opalarkę pod ręką.

## 8. Włacznik/wyłącznik

**OSTRZEŻENIE:** Podczas obsługi i przygotowywania narzędzia zawsze należy nosić odpowiednie środki ochrony indywidualnej. Wyłącznik bezpieczeństwa (**4**) znajduje się zawsze w pozycji środkowej, dzięki czemu opalarka jest zablokowana i włączenie jej jest niemożliwe.

- Aby uruchomić urządzenie należy przesunąć wyłącznik bezpieczeństwa (**4**) w prawo lub w lewo, a następnie nacisnąć spust włącznika (**6**).
- Aby wyłączyć opalarkę, należy zwolnić spust.

**UWAGA!** Silnik będzie pracował jeszcze przez ok. 6 sekund. Wymaga tego konieczność schłodzenia silnika.

**Uwaga:** Temperaturę roboczą opalarka osiąga w ciągu kilku sekund.

- Podgrzać obrabiany element. W razie potrzeby zbliżyć dyszę do obiektu.
- Po zakończeniu pracy zawsze należy wyłączyć opalarkę. Należy pamiętać, że dysza jest wciąż bardzo gorąca. Nie umieszczać opalarki w pobliżu materiałów łatwopalnych.

## 9. Czyszczenie i konserwacja

**OSTRZEŻENIE:** Przed wykonaniem jakiegokolwiek konserwacji/czyszczenia narzędzia zdemontować akumulator.

### 9.1 Czyszczenie

- Urządzenie czyścić wyłącznie wilgotną szmatką. Nie wolno stosować agresywnych środków chemicznych, które mogą rozpuścić części z tworzywa sztucznego. Nie stosować środków ściernych. Otwory wentylacyjne należy utrzymywać w czystości i zadbać, aby były drożne.
- W miarę możliwości należy chronić wszystkie rozwiązania zabezpieczające, otwory wentylacyjne i obudowę silnika przed zanieczyszczeniami i pyłem. Wytrzeć elektronarzędzie czystą ściereczką lub przedmuchać sprężonym powietrzem o niskim ciśnieniu.
- Zalecamy czyszczenie narzędzia z napędem elektrycznym natychmiast po każdym użyciu.
- Regularnie czyścić elektronarzędzie wilgotną szmatką i niewielką ilością delikatnego mydła.

### 9.2 Konserwacja

W urządzeniu nie ma elementów wewnętrznych wymagających konserwacji.

## 10. Dane techniczne

Napięcie znamionowe: . . . 18 V (prąd stały)  
 Natężenie prądu: . . . . . 15,5 A  
 Temperatura: . . . . . 550°C  
 Zużycie powietrza: . . . . . 240 l/min  
 Prędkość strumienia powietrza: . . . 15 m/s  
 Ciężar urządzenia bez akumulatora: . . 0,6 kg  
 Wymiary urządzenia: . . . . 17,5 × 7 × 20 cm

## 11. Utylizacja



*Nie należy utylizować elektronarzędzi z odpadami domowymi.*

Narzędzie z napędem elektrycznym jest dostarczane w opakowaniu celem zredukowania uszkodzeń w czasie transportu. Opakowanie jest surowcem i jako takie może zostać ponownie użyte lub ponownie przetworzone. Narzędzie z napędem elektrycznym i jego akcesoria wykonane są z różnych materiałów, takich jak metale i tworzywa sztuczne. Uszkodzone elementy należy przekazać do specjalnych punktów gromadzenia odpadów. Informacje o nich można uzyskać w sklepie lub u władz lokalnych. Produkt i instrukcja obsługi mogą ulec zmianie. Dane techniczne mogą zostać zmienione bez wcześniejszego powiadomienia.

### 11.1 Akumulatory

Podczas utylizacji akumulatorów brać pod uwagę środowisko naturalne. Aby uzyskać informacje na temat najbliższego punktu zbiórki odpadów, należy skontaktować się z jednostką władz samorządowych. Nie należy utylizować akumulatorów z odpadami domowymi.

Nie należy utylizować akumulatorów przez spalenie, może to prowadzić do wybuchu.

## 12. Deklaracja zgodności z wymogami UE

Firma **Batavia B.V., Weth. Wassebaliestraat 6d, NL-7951 SN Staphorst**, oświadcza na własną odpowiedzialność, że produkt **bezprowadowa opalarka, model BT-CHG001, pozycja nr: 7063519** jest zgodny z podstawowymi wymaganiami, które zostały określone w Dyrektywach Parlamentu Europejskiego i Rady dotyczących kompatybilności elektromagnetycznej **2014/30/UE (EMC), 2006/42/WE (maszynowej), 2014/35/EU (LVD), 2011/65/UE (RoHS)** oraz poprawkach do nich. W celu oceny zgodności zastosowane zostały następujące normy zharmonizowane:

**EN62233:2008**  
**EN60335-2-45:2002+A1:2008+A2:2012**  
**EN60335-1:2012+AC:2014**  
**+A11:2014+A13:2017**  
**EN55014-1:2017**  
**EN 55014-2:2015**  
**AfPS GS 2019:01 PAK**

Staphorst, 6 lipca 2021 r.

Meino Seinen, Przedstawiciel ds. QA  
 Batavia B.V., Weth. Wassebaliestraat 6d,  
 7951 SN Staphorst, Holandia

Produkt i instrukcja obsługi mogą ulec zmianie. Dane techniczne mogą zostać zmienione bez wcześniejszego powiadomienia.

# ONE BATTERY FOR 30+ TOOLS

## MAXPACK 18V

18 V Cordless collection

**30+**  
**TOOLS**



# BATAVIA

## 2 YEAR WARRANTY

### This product has got a 2 year warranty

Dear Client, if for any reason this product is not working, please ensure you contact our [Client Service Centre](#). Ensure you have your original receipt of purchase. This warranty covers all defects in workmanship or materials in this Batavia product for a two year period from the date of purchase. The warranty does not cover any malfunction, or defect resulting from misuse, neglect, alteration, or repair.

### Dieses Produkt hat 2 Jahre Garantie

Sehr geehrter Kunde, unsere Produkte unterliegen einer strengen Qualitätskontrolle. Sollte dieses Gerät nicht einwandfrei sein, so wenden Sie sich bitte immer zuerst an unseren [Kunden-Service](#). Bitte bewahren Sie unbedingt den Kaufbeleg auf. Die Garantieleistung gilt nur für Material- oder Fabrikationsfehler. Ausgeschlossen sind Mängel die durch häufigen Gebrauch, missbräuchlicher und unsachgemäßer Behandlung oder Gewalteinwirkung verursacht worden sind.

### Ce produit a 2 ans de garantie

Cher client, Si pour une raison quelconque, ce produit ne fonctionne pas, veuillez contacter notre [Centre de service après-vente](#). Conservez le bon d'achat original. Cette garantie couvre tous les défauts de matériau et de main d'œuvre constatés sur ce produit Batavia pendant une période de deux ans à compter de la date d'achat. Les défauts de fonctionnement et autres résultant d'abus ou de mauvais emploi, de négligence, de modifications ou réparations non autorisées sont exclus de la garantie.

### Dit product heeft 2 jaar garantie

Geachte klant, onze producten ondergaan een streng kwaliteitscontrole proces. Wanneer dit product niet correct functioneert, wend u zich alstublieft altijd eerst tot onze [klantenservice](#). Bewaar altijd uw aankoopbewijs. De garantieservice is alleen van toepassing op materiaal- of productiefouten. Uitgesloten zijn gebreken veroorzaakt door intensief gebruik, misbruik en incorrecte behandeling of extern geweld.

### Questo prodotto è garantito per 2 anni

Gentile Cliente, se per una qualche ragione il prodotto non funziona, La invitiamo a mettersi in contatto con il nostro [Centro Assistenza Clienti](#). Si accerti di avere la ricevuta originale dell'acquisto. La garanzia copre tutti i difetti di fabbricazione o di materiale in questo prodotto Batavia per un periodo di 2 anni dalla data di acquisto. La garanzia non copre malfunzionamenti o difetti derivanti da uso inappropriato, improprio, da modifiche o riparazioni.

### Este producto tiene dos años de garantía

Estimado cliente: si por cualquier razón este producto no funciona, póngase en contacto con nuestro [Centro de Atención al Cliente](#). Asegúrese de tener a mano la factura de compra original. Esta garantía cubre todos los defectos de mano de obra o materiales de este producto de Batavia por un periodo de dos años a partir de la fecha de compra. La garantía no cubre ningún mal funcionamiento o defectos resultantes del mal uso, negligencia, alteración o reparación.


### Este produto tem uma garantia de 2 anos

Estimado Cliente, se, por qualquer motivo, este produto não estiver a funcionar devidamente, contacte o nosso [Centro de Apoio ao Cliente](#). Certifique-se de que possui a prova de compra original. Esta garantia cobre todos os defeitos de fabrico ou materiais do produto Batavia durante um período de dois anos, a contar da data de compra. A garantia não cobre quaisquer avarias ou defeitos resultantes de um uso indevido, negligência, modificações ou reparações.

### Produkt posiada 2-letnią gwarancję.

Szanowny Kliencie! Jeśli z jakiegokolwiek powodu niniejszy produkt nie działa, prosimy skontaktować się z naszym [Centrum obsługi serwisowej](#). Upewnij się, że posiadasz oryginalny dowód zakupu. Niniejsza gwarancja obejmuje wszystkie wady produkcyjne i materiałowe w produktach Batavia przez okres dwóch lat od daty zakupu. Gwarancja nie obejmuje żadnych usterek lub uszkodzeń wynikających z nieprawidłowego użycia, zaniedbania, modyfikacji lub naprawy.

**Deutschland – Kundenservice – Montag bis Freitag von 9 bis 17 Uhr**


 **01805 937 832\***

**Other European countries – Customer Services /**

**Autres pays d'Europe – Service clientèle /**

**Overige landen Europa – Klantenservice**

Monday till Friday from 8 am until 4 pm / Lundi jusqu'à Vendredi de 9 – 17 heure / Maandag t/m vrijdag van 9 tot 17 uur

 **00800 664 774 00**



\*Nur €0,14 /Minute aus dem dt. Festnetz, max. €0,42/Minute aus den Mobilfunknetzen

**Model: BT-CHG001**  
**Item-No.: 7063519**  
[www.batavia.eu](http://www.batavia.eu) | [info@batavia.eu](mailto:info@batavia.eu)

7063519/5